



# Product Specification Sheet

## Astral Axial CDM Ellipsoidal



**The Astral Axial Zoomspot – combines a high quality projector-like beam with a long life CDM display lamp with a peak beam of 135,000cd at 18° ensuring a high output precise beam and long operating life.**

The greater efficiency of the latest compact arc discharge lamps, axial configuration and custom lens designs results in two variable zoom fixtures that deliver leading performance with a beam that is precise, even and simply adjusted from a peak to flat distribution.

### Features

Long life (9000hrs+), efficient, single ended CDM ceramic type discharge lamp 70W or 150W, 3,000°K or 4,000°K colour temperature.

Available in 18°-34° or 24°-44° beam angles, interchangeable without the use of tools.

Electronic power supply only.

Slot provided for Iris or rotatable (35°) pattern holder & motorised pattern rotator.

'Swing-down' doors for easy access to lamp or lens cleaning. Isolates the mains supply when opened.

Captive lamp/reflector and lens focus system moves on brass bearing provides smooth movement.

Track and ceiling mount options.

### Approvals

CE.

### Mounting options

Site fixing.

Track adapter – 3 circuit international European standard or to customer's specifications – cable termination only, luminaire requires mechanical track adapter fitted for suspension.

### Power current

For electrical power supply:

Current consumption for 150W 220-240V units - 0.70 amp.

Current consumption for 70W 220-240V units - 0.36 amp.

The current in the first minutes is lower than the nominal current due to less lamp power at the start up. The start-up current is therefore below the operating current and as such is not a design factor that has to be considered.

### Lamps

CDM-T 70W / 830 3000K.

CDM-T 70W / 942 4200K.

CDM-T 150W / 830 3000K.

CDM-T 150W / 942 4200K.

### Accessories

Pattern holder for 'M' size steel gobos – white.

Pattern holder for 'M' size steel gobos – black.

Pattern holder for 'M' size glass gobos – white.

Pattern holder for 'M' size glass gobos – black.

Len safety mesh.

Adjustable iris.

Animation disc motor.

### Colours



**Black**

**White**

White = PANTONE® 11-4800

Blanc de Blanc



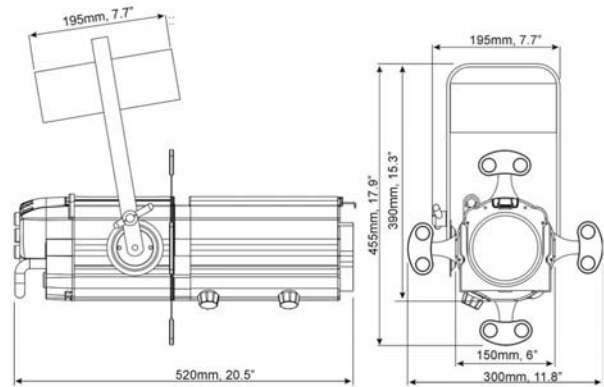
## Physical data

Weight: 8.4 kg.

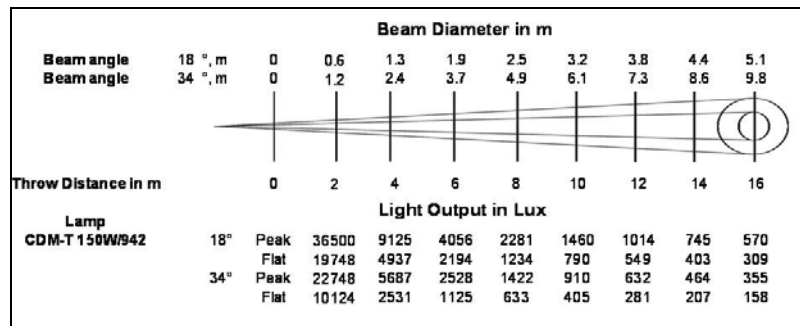
Colour Frame Size: 125mm x 125mm.

Pattern (Gobo) Size: M.

Included: 4x shutters, 1x colour frame & instruction sheet.



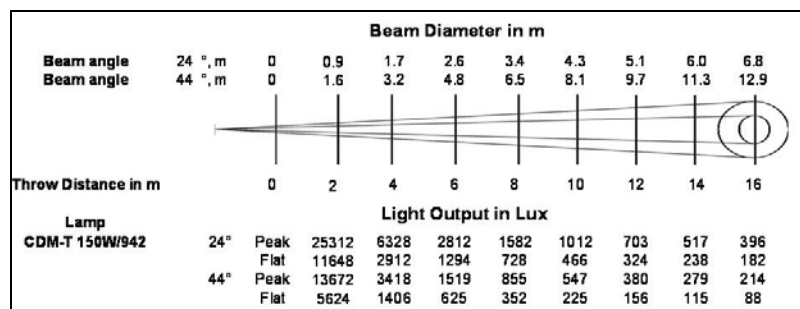
## Photometric data: 18°-34° model with CDM-T 150W/942 lamp



Conversion Factors for:

CDM 150W/830 3000°K lamp light output in Lux : multiply above CDM150 figures by x 0.70.  
 CDM 70W/830 3000°K lamp light output in Lux : multiply above CDM150 figures by x 0.52.  
 CDM 70W/942 4000°K lamp light output in Lux : multiply above CDM150 figures by x 0.50.

## Photometric data: 24°-44° model with CDM-T 150W/942 lamp



Conversion Factors for:

CDM 150W/830 3000°K lamp light output in Lux : multiply above CDM150 figures by x 0.70.  
 CDM 70W/830 3000°K lamp light output in Lux : multiply above CDM150 figures by x 0.52.  
 CDM 70W/942 4000°K lamp light output in Lux : multiply above CDM150 figures by x 0.50.



---

**Order codes: 220V-240V**

---

**Astral Axial 18°-34° Zoomspot with electronic power supply**

	For 150W CDM type lamp	For 70W CDM type lamp
<b>Black</b>	SA-AX15ES2B	SA-AX70ES2B
<b>White</b>	SA-AX15ES2W	SA-AX70ES2W

**Astral Axial 24°-44° Zoomspot with electronic power supply**

	For 150W CDM type lamp	For 70W CDM type lamp
<b>Black</b>	SA-AXW150ES2B	SA-AXW70ES2B
<b>White</b>	SA-AXW150ES2W	SA-AXW70ES2W

**NOTE:** Please specify required lamp/colour temperature choice when placing your order.

**Accessories**

15ACGHW	Pattern holder for M size steel gobos – white
15ACGH	Pattern holder for M size steel gobos – black
15ACGHGLW	Pattern holder for M size glass gobos – white
15ACGHGL	Pattern holder for M size glass gobos – black
15ACIRIS	Adjustable iris – 20 leaf
15ACSM	Lens safety mesh

---

Selecon reserves the right to change this product specification without notice (August 2009).