



Product Specification Sheet

Selecon Display Profile



The new Selecon Display Profile delivers up to 3 times the light output of the Aureol BeamShaper with accurate shaping of the beam and precise pattern projection.

A sophisticated lighting instrument of timeless appearance. The Display Profile delivers on Selecon's brand promise for performance (efficient optical system; high quality pattern projections); precision (accurate beam shaping; locking focus adjustments) and simplicity (intuitive operation).

Allen key lock offs and reference scales for all adjustments offers the means to effectively assure the integrity of the original lighting design.

Colors



White - PANTONE® 11-4800 - Blanc de Blanc.

Approvals

ETL / cETL and CE.

Features

High light output for a luminaire of this size, ideal for pattern projection and precise illumination.

Engineered from precision aluminum pressure die-castings.

Two zoom optical systems: 15°–35° and 25°–50°.

All adjustable parameters are lockable using allen key tool, including:

- Pan and tilt
- Rotatable lens tube - +/- 45°
- Zoom lens adjustments
- Shutters

Reference scales for all adjustments.

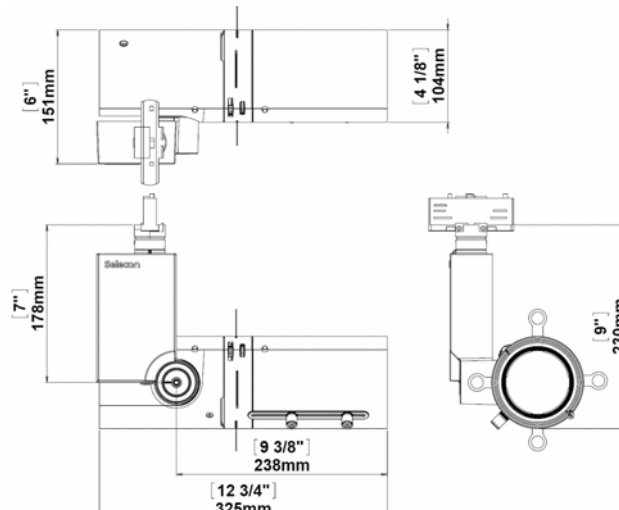
Internal pattern holder with external image alignment.

Shutters can be clamped in position.

Two front accessory slots (3 3/4" diameter) for colored glass; plastic filter holder; animation motor drive.

Physical data

Weight: 5lb 8oz.



Lamps

- Low Voltage tungsten halogen 12V – 100W (4,000hrs average life).

- Philips Mini-Master 20W CDM (warm white; 12,000hrs average life).

- Philips Mini-Master 35W CDM (warm white; 12,000hrs average life).

Each luminaire is supplied with its appropriate lamp.

Mounting options

Choice of canopy mount; track adapters; pipe clamp; half coupler.





Performance data

SDP 15°-35° model:

		Beam Diameter in feet								
Beam angle	15 °	0	2.6	3.4	4.3	5.2	6.1	6.8	7.8	8.7
Beam angle	35 °	0	6.2	8.2	10.3	12.4	14.5	16.4	18.6	20.8
Throw distance in feet		0	9.8	13	16.4	19.6	23	26	29.5	33
		Central Illumination in FootCandles								
Lamps:										
Philips MiniMaster 20W CDM - Tm 830	15°	203	114	73	51	37	29	22	18	
	26°	85	48	30	21	16	12	9	7	
	35°	43	24	15	11	8	6	5	4	
Philips MiniMaster 35W CDM - Tm 930	15°	248	140	89	62	46	35	28	22	
	25°	135	76	49	34	25	19	15	12	
	35°	76	43	27	19	14	11	8	7	
GE Capsule 12V 100W	15°	209	118	74	52	38	30	23	18	
	26°	130	73	46	32	23	18	14	11	
	35°	66	37	23	16	12	9	7	6	

SDP 25°-50° model:

		Beam Diameter in feet								
Beam angle	25 °	0	4.3	5.8	7.3	8.7	10.2	11.5	13.1	14.6
Beam angle	50 °	0	9.1	12.1	15.3	18.3	21.5	24.2	27.5	30.8
Throw distance in feet		0	9.8	13	16.4	19.6	23	26	29.5	33
		Central Illumination in FootCandles								
Lamps:										
Philips MiniMaster 20W CDM - Tm 830	25°	79	45	29	20	15	11	9	7	
	35°	44	25	16	11	8	6	5	4	
	50°	24	14	9	6	4	3	3	2	
Philips MiniMaster 35W CDM - Tm 930	25°	142	80	51	35	26	20	16	13	
	35°	81	45	29	21	15	11	9	7	
	50°	49	28	18	12	9	7	5	4	
GE Capsule 12V 100W	25°	78	44	28	19	14	11	8	7	
	35°	70	40	25	18	13	10	8	6	
	50°	27	15	10	7	5	4	3	3	

Order codes

Lamp: 12V 100W tungsten halogen

Track Mount Adapter:

Strand Selecon can fit several types of track adapter to the Selecon Display profile including Global and Lightolier.

For further information including other mounting options please contact your Strand Selecon representative or Regional Sales Manager.

Track Mount – please specify required adapter	15°-35° model	25° -50° model
White	SDP1535THT01120	SDP2550THT01120
Silver / Grey	SDP1535THT02120	SDP2550THT02120
Black	SDP1535THT03120	SDP2550THT03120
Canopy Mount	15°-35° model	25° -50° model
White	SDP1535THC01120	SDP2550THC01120
Silver / Grey	SDP1535THC02120	SDP2550THC02120
Black	SDP1535THC03120	SDP2550THC03120



Lamp: 20W metal halide

Track Mount – please specify required adapter	15°-35° model	25° -50° model
White	SDP1535MH20T01120	SDP2550MH20T01120
Silver / Grey	SDP1535MH20T02120	SDP2550MH20T02120
Black	SDP1535MH20T03120	SDP2550MH20T03120
Canopy Mount	15°-35° model	25° -50° model
White	SDP1535MH20C01120	SDP2550MH20C01120
Silver / Grey	SDP1535MH20C02120	SDP2550MH20C02120
Black	SDP1535MH20C03120	SDP2550MH20C03120

Lamp: 35W metal halide

Track Mount – please specify required adapter	15°-35° model	25° -50° model
White	SDP1535MH35T01120	SDP2550MH35T01120
Silver / Grey	SDP1535MH35T02120	SDP2550MH35T02120
Black	SDP1535MH35T03120	SDP2550MH35T03120
Canopy Mount	15°-35° model	25° -50° model
White	SDP1535MH35C01120	SDP2550MH35C01120
Silver / Grey	SDP1535MH35C02120	SDP2550MH35C02120
Black	SDP1535MH35C03120	SDP2550MH35C03120

Accessories

- Color frame for plastic filters
- Medium diffusion glass
- UV glass filter
- Glass color filter - primary blue, green, red and yellow
- Glass dichroic color filter

Pattern size: E
Outside diameter: 1 ½ “
Image area: 1”

To achieve the best results with your pattern projection:
- always use black matt finish patterns as these reduce internal light reflections.
- for custom / text logos please ensure the design is inside the 1” diameter area.

Selecon reserves the right to change this product specification without notice (08/09).