

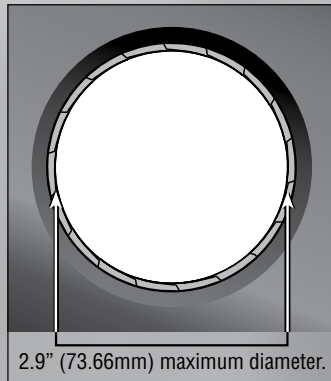
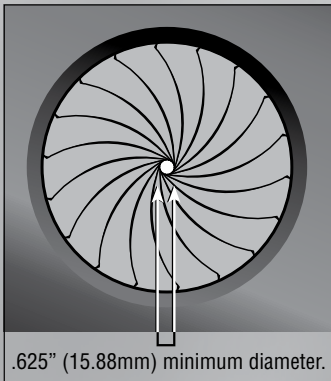


4. The EZ Iris is powered by a 24V DC source and DMX512 1990 protocol. Care must be taken to determine that the power supply and the pin configuration are compatible with the unit. Wybron Coloram and Color Kinetics ColorBlast power supplies are NOT compatible with Apollo EZ Iris, Apollo Smart Color, or Apollo Smart Move products.

When the EZ Iris is used with a lighting console, the two 4-pin XLR connectors provide data and power transmission from the remote power supply. Four sizes of power supplies are available from Apollo:

- Smart Power™ 75 PSU will operate 5 EZ Iris units.
- Smart Power™ 200 PSU will operate 13 EZ Iris units.
- Smart Power™ 400 PSU will operate 26 EZ Iris units.
- Smart Power™ 600 PSU will operate 40 EZ Iris units.

5. When the EZ Iris has been installed, connect power and control cable to unit via the 4-pin XLR male connector. For proper operation only Apollo or other high quality accessory cable should be used from the power/DMX supply to the EZ Iris. DO NOT use microphone cable within any lighting applications!



#### EZ Iris DMX™ Specifications

<b>Compatible Fixtures</b>	ETC S4      Altman Shakespeare Strand SL
<b>Dimensions</b>	11.30" (l) x 4.70" (w) x 2.62" (d) 28.7cm (l) x 11.94cm (w) x 6.65cm (d)
<b>Drive System</b>	Gear driven by stepper motor
<b>Iris Speed</b>	Various
<b>Aperture Size</b>	Various
<b>Power Requirement</b>	24 VDC + DMX 512 1990 Protocol (purchased separately)
<b>Power Consumption</b>	0.4 amps @ 24VDC
<b>DMX Channels</b>	1
<b>Data/Power Transmission</b>	XLR 4-Pin Cable (purchased separately)
<b>Weight</b>	3.0 lb. 1.37kg
<b>Ratings</b>	CE and FCC Compliant
<b>Packaging</b>	Corrugated Box
<b>Operation</b>	0% (DMX 0) Closed 100% (DMX 255) Open

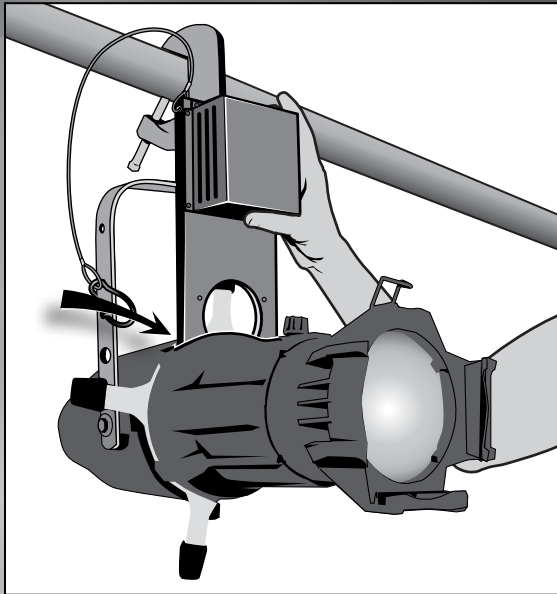
#### EZ Iris DMX™ Warranty

Excluding the vanes, the EZ Iris DMX is covered for defects in materials and workmanship for one year, including repair parts and repair labor on defective item, from date of Apollo invoice. The warranty covers freight for 30 days after initial purchase. Apollo does not cover any other loss resulting from product failure.

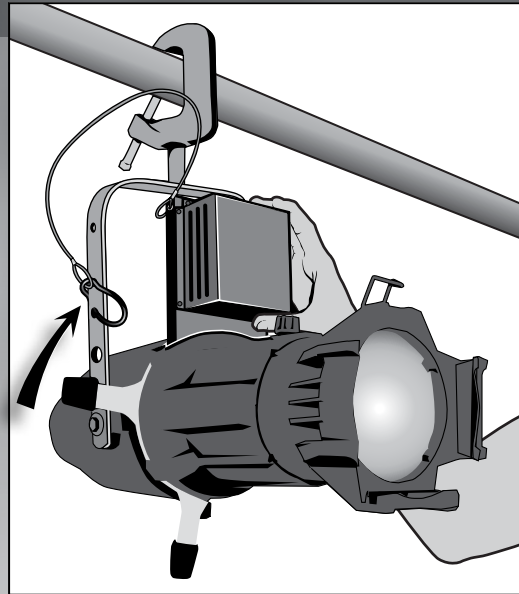
**Apollo Design Technology, Inc.**  
4130 Fourier Drive  
Fort Wayne, IN 46818 USA  
Phone: +01.260.497.9191 Fax: +01.260.497.9192  
www.apollobydesign.net



## Installation Instructions



**1.** Slide the EZ Iris into the iris slot of the lighting fixture.



**2.** Be sure to attach the safety cable to lighting fixture.

