

# TITAN

## LED PROJECTORS



**TITAN** is a new range of compact self-contained LED projectors designed for fixed and mobile installations, either indoor or outdoor.

All models are made on aluminium offering high resistance to mechanical stress, and offer an IP65 protection rating.

TITAN range features a power supply on board and is therefore extremely easy to set up and use.

TITAN models are available with Powerconn + XLR connectors, or with Harting connectors (IP65).

TITAN is also available without integrated power supply.

TITAN can be controlled via any DMX lighting console.

Three dedicated lenses sets (Spot, Medium flood, Wide flood) are available for each model, offering different light beam projection angles with even coverage of lighted areas.

TITAN range comprises 3 models, which employ different sets of LEDs tailored for distinct applications:

TITAN FULL COLOUR, TITAN RGB and TITAN WHITE.

**TITAN FULL COLOUR:** 15 x 3W Full Colour LEDs; 16 million colours; 990 Lux at 2 m (spot lenses); linear colour temperature 3200°K ÷ 5500°K; 16 selectable types of White.

The 15 Full Colour LEDs all generate the same colour at the same time, so that the illuminated object is not only uniformly lit, but also projects no false shadows.

**TITAN RGB:** 54 x 1W Luxeon LEDs (12 x Red, 15 x Green, 15 x Blue, 12 x Amber); 16 million colours; 4388 Lux at 2 m (spot lenses); linear colour temperature 3200°K ÷ 5500°K; 16 selectable types of White. The LEDs distribution pattern guarantees high mixing quality for RGB colours and a uniform projection on surfaces, no matter what colour is used.

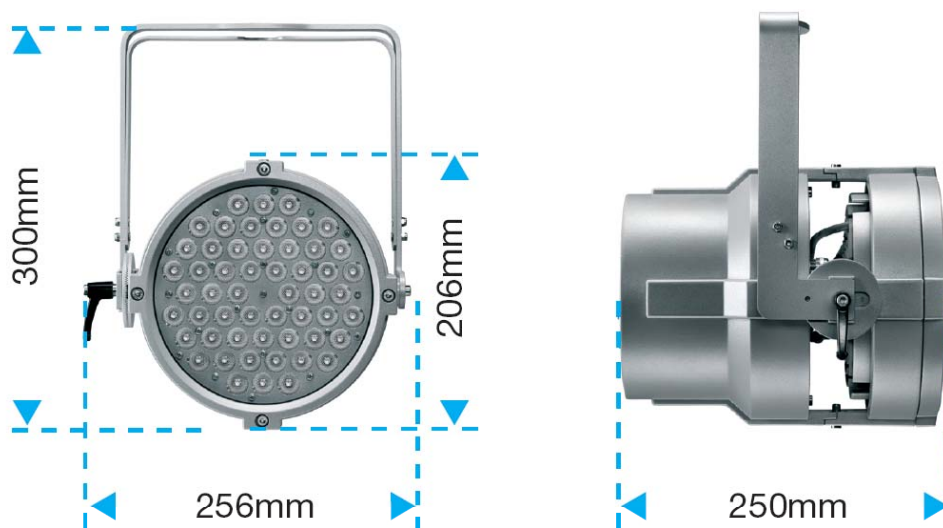
**TITAN WHITE:** 54 x 1W Luxeon LEDs (42 White, 12 x Amber); 9900 Lux at 2 m (spot lenses); linear colour temperature 3200°K ÷ 5500°K; 16 selectable types of White.

TITAN WHITE is ideal in various applications where colour is not needed and white light must have well defined features.





● **TITAN LED PROJECTORS**



## Technical Specifications

### LED technology

TITAN FULL COLOUR: 15 x Full Colour LEDs;  
990 Lux / 2 m (spot lenses)

TITAN RGB: 54 x 1W Luxeon LEDs (12 x Red, 15 x Green, 15 x Blue, 12 x Amber);  
4388 Lux / 2 m (spot lenses)

TITAN WHITE: 54 x 1W Luxeon LEDs (42 x White, 12 x Amber);  
9900 Lux / 2 m (spot lenses)

Variable white colour temperature: 3.200°K÷5.500°K

No infrared emission; no ultraviolet emission

LEDs average lifespan: 100.000 hours

### Optical units

3 lenses sets available (Spot, Medium flood, Wide flood)

### Control

Via any DMX lighting console

### Protection

IP65 protection level against the penetration of solids and liquids

### Construction

TITAN is made on aluminium

### Power supply

Internal power supply; external dedicated Z1, Z1 OUTDOOR and Z4 power supply / LED controllers

### Connectors

Powerconn + XLR connectors or Harting connectors (IP65)  
M12 connector (IP68)



**The Lighting Company**