

ATOM CLAMPS

Atom Clamps are the smallest of the Doughty® Clamp range of extruded aluminium couplers and are slotted to hold captive a nut or bolt head. These small clamps have a SWL and TÜV approval of 100 Kg and are ideal for shop displays, film lighting etc. Atom clamps will fit tubes with exterior diameters ranging from 25 - 38mm and are suitable for use not only for lightweight trusses, but also the centre tubes on most varieties of stands.

Main features:

- SWL 100 Kg
- TÜV approval
- Captive bolt
- Fits 25, 32 & 38mm diameter tubes
- High tensile aluminium
- Available in polished aluminium or black powder paint





T58870 - 25mm Silver
 T58800 - 32mm Silver
 T58970 - 38mm Silver
 T5887001 - 25mm Black
 T5880001 - 32mm Black
 T5897001 - 38mm Black



T58887 - 25mm Silver
 T58830 - 32mm Silver
 T58997 - 38mm Silver
 T5888701 - 25mm Black
 T5883001 - 32mm Black
 T5899701 - 38mm Black



T58890 - 25mm Silver
 T58840 - 32mm Silver
 T58990 - 38mm Silver
 T5889001 - 25mm Black
 T5884001 - 32mm Black
 T5899001 - 38mm Black

Atom Half Coupler

Ø25mm

SWL	100 Kg
D1	5mm
D2	21mm
D3	41mm
D4	Ø6mm
D5	10mm
D6	20mm
W	21mm
F	M6x30

Atom Hook Clamp

Ø32mm

SWL	100 Kg
D1	5mm
D2	28mm
D3	48mm
D4	Ø6mm
D5	10mm
D6	30mm
W	30mm
F	M6x30

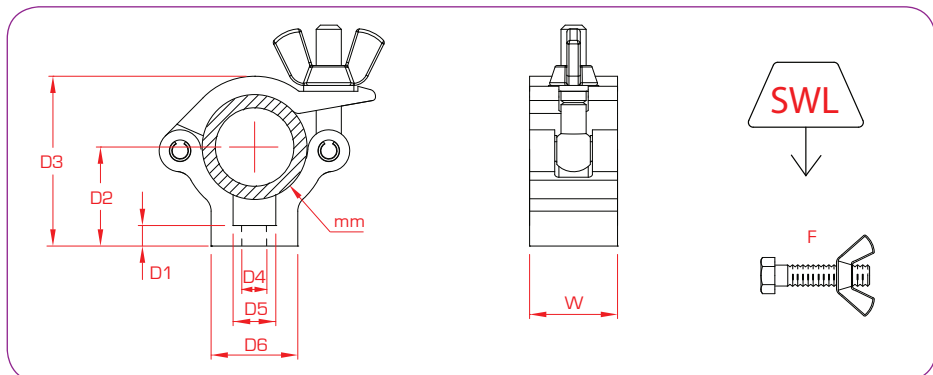
Atom Hanging Clamp

Ø38mm

SWL	100 Kg
D1	5mm
D2	36mm
D3	55mm
D4	Ø10mm
D5	17mm
D6	30mm
W	30mm
F	M10x30



Atom





T58885 - 25mm Silver
 T58820 - 32mm Silver
 T58985 - 38mm Silver
 T5888501 - 25mm Black
 T5882001 - 32mm Black
 T5898501 - 38mm Black



T58880 - 25mm Silver
 T58815 - 32mm Silver
 T58980 - 38mm Silver
 T5888001 - 25mm Black
 T5881501 - 32mm Black
 T5898001 - 38mm Black



T58875 - 25mm Silver
 T58810 - 32mm Silver
 T58975 - 38mm Silver
 T5887501 - 25mm Black
 T5881001 - 32mm Black
 T5897501 - 38mm Black

Atom 90° Fixed Coupler

Ø25mm

SWL	100 Kg
D1	42mm
D2	82mm
W	21mm

Atom Parallel Coupler

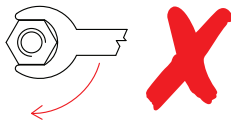
Ø32mm

SWL	100 Kg
D1	56mm
D2	96mm
W	30mm

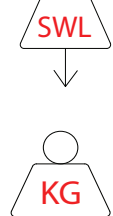
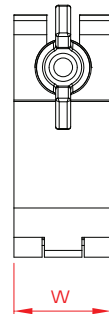
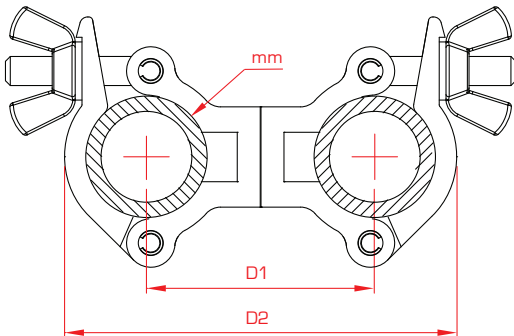
Atom Swivel Coupler

Ø38mm

SWL	100 Kg
D1	72mm
D2	110mm
W	30mm



Tube Diameters
 25mm, 32mm & 38mm





T58892 - 25mm Silver
 T58850 - 32mm Silver
 T58992 - 38mm Silver
 T5889201 - 25mm Black
 T5885001 - 32mm Black
 T5899201 - 38mm Black



T58894 - 25mm Silver
 T58855 - 32mm Silver
 T58994 - 38mm Silver
 T5889401 - 25mm Black
 T5885501 - 32mm Black
 T5899401 - 38mm Black



T58896 - 25mm Silver
 T58856 - 32mm Silver
 T58996 - 38mm Silver
 T5889601 - 25mm Black
 T5885601 - 32mm Black
 T5899601 - 38mm Black

Atom Snapper

SWL	100 Kg
D1	6mm
D2	15mm
D3	28mm
D4	Ø19mm

Atom Beamer

SWL	100 Kg
E1	12.5mm
E2	32.5mm
E3	70mm
E4	Ø16mm

Atom Big Ben

SWL	100 Kg
F1	81mm
F2	111mm
F3	116mm
F4	Ø28mm

