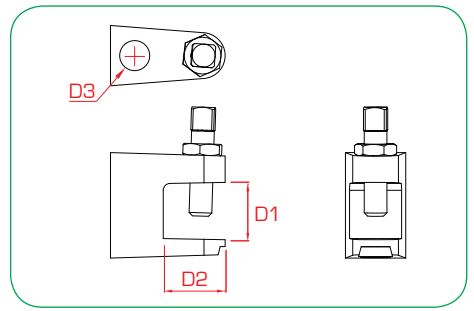
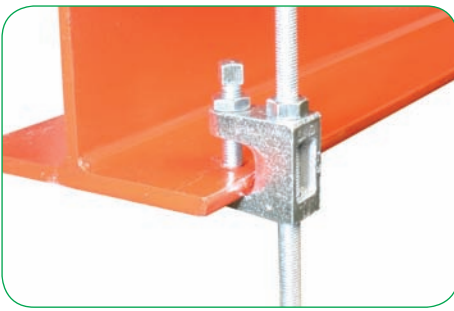


GIRDER CLAMPS

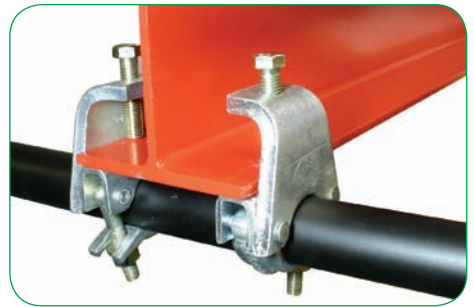
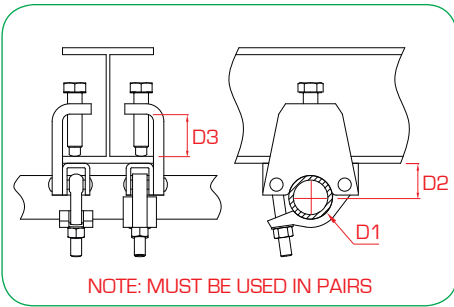
The Doughty® Girder Clamp range is a comprehensive range of steel bracketry designed specifically to mount on to structural girders/beams often used to suspend loads.





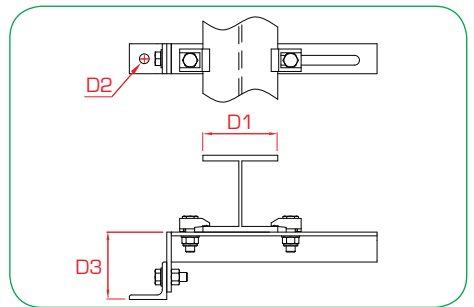
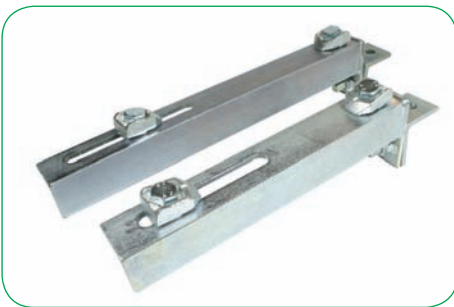
Lindaptor Flange Clamp

	SWL	D1	D2	D3	Kg
T29700	300 Kg	25mm	25mm	13mm	0.20 Kg



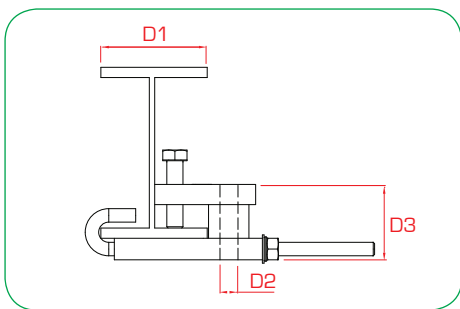
Gravlock Coupler

	SWL	D1	D2	D3	Kg
T29497	600 Kg	Ø48mm	38mm	0 - 45mm	1.47 Kg



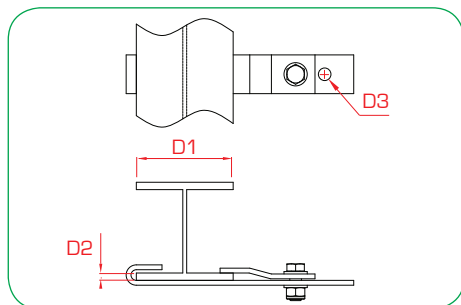
Girder Clamp with End Bracket

	SWL	D1	D2	D3	Kg
T29804	60 Kg	100 - 180mm	13mm	90mm	1.36 Kg
T29805	60 Kg	180 - 280mm	13mm	90mm	1.64 Kg
T29806	60 Kg	230 - 380mm	13mm	90mm	1.66 Kg



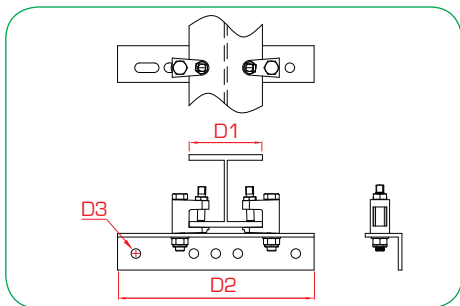
Girder Clamp - Light Duty

	SWL	D1	D2	D3	Kg
T29800	250 Kg	100 - 150mm	13mm	56mm	1.19 Kg
T29801	250 Kg	150 - 200mm	13mm	56mm	1.30 Kg



Pressed Girder Bracket

	SWL	D1	D2	D3	Kg
T29810	3 Kg	<125mm	10mm	16mm	0.64 Kg



Girder Clamp

	SWL	D1	D2	D3	Kg
T29500	500 Kg	75 - 150mm	268mm	13mm	1.19 Kg
T29600	500 Kg	150 - 300mm	445mm	13mm	1.19 Kg