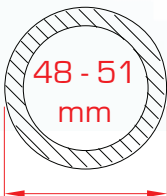


# LIGHTWEIGHT CLAMPS

Lightweight Doughty® Clamps are constructed from high tensile aluminium extrusion and have been developed for installations where load capacities of up to 500 Kg are required. Designed to fit tubes with diameters of 48 - 51mm, these clamps are slotted to hold captive an M12 hexagon nut or bolt head. The lightweight half coupler has been TÜV tested and certified with a SWL and TÜV approval of 500 Kg. Slimline versions of this range are also available.

Main features:

- SWL 500 Kg
- TÜV approval
- Captive M12 bolt
- Fits 48 - 51mm diameter tubes
- High tensile aluminium
- Available in polished aluminium or black powder paint





T58100



T58105



T58107 - Euro - Silver  
T58108 - Din - Silver



T58101



T58106

### LW Big Ben

SWL	200 Kg
H1	151mm
H2	Ø28mm
KG	0.63 Kg

### LW Half Coupler

SWL	500 Kg
D1	7mm
D2	40mm
D3	70mm
D4	Ø12.7mm
D5	17 & 19mm
D6	35mm
D7	Ø48 - 51mm
W	50mm
Kg	0.34 Kg

### LW Hook Clamp

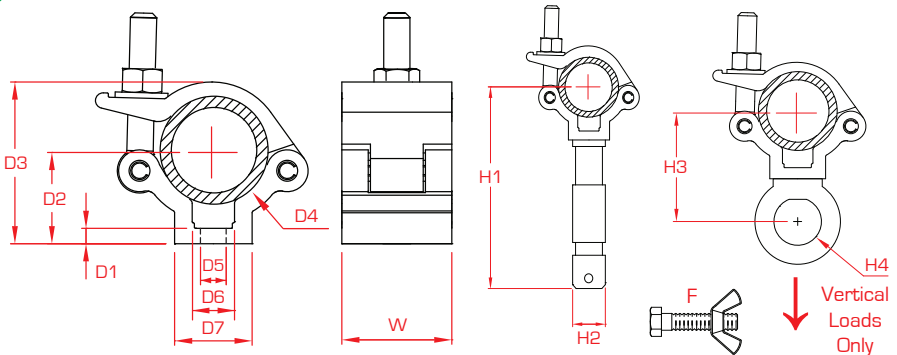
SWL	500 Kg
D1	7mm
D2	40mm
D4	Ø12.7mm
D5	17 & 19mm
D6	35mm
D7	Ø48 - 51mm
W	50mm
Kg	0.34 Kg
F	M12x50



T58109

### LW Hanging Clamp

SWL	340 Kg
H3	67mm
H4	Ø30mm
Kg	0.44 Kg





T58110



T58115 - Silver  
T58116 - Black



T58120 - Silver  
T58121 - Black

**LW 90° Fixed Coupler**

SWL	500 Kg
D1	80mm
D2	140mm
D3	Ø48 - 51mm
W	50mm
Kg	0.76 Kg

**LW Parallel Coupler**

SWL	500 Kg
D1	80mm
D2	140mm
D3	Ø48 - 51mm
W	50mm
Kg	0.76 Kg

**LW Swivel Coupler**

SWL	500 Kg
D1	80mm
D2	140mm
D3	Ø48 - 51mm
W	50mm
Kg	0.76 Kg

Maximum Torque  
30 N-m  
22 lb-ft

⊘ Tube Diameters  
48 - 51mm

LW =  
Lightweight

