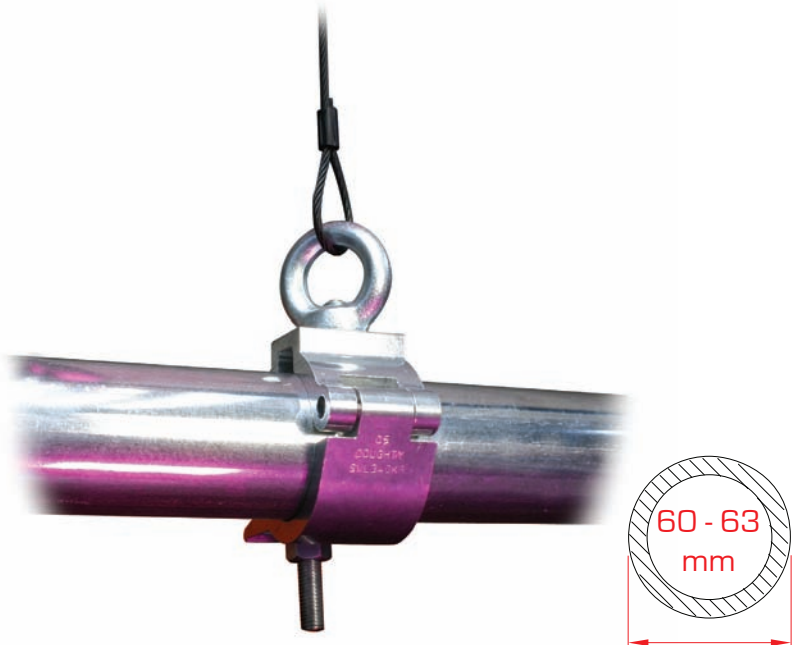


MAMMOTH CLAMPS

The Mammoth Clamp Range has been designed to fit tubes with a diameter of 60 - 63mm. The mammoth half coupler has been TÜV tested and certified for a SWL of 500 Kg. As with most other Doughty® couplers, the high tensile aluminium base is slotted to hold captive a nut or bolt head.

Main features:

- SWL 500 Kg
- TÜV approval
- Captive M12 bolt
- Fits 60 - 63mm diameter tubes
- High tensile aluminium
- Available in polished aluminium or black powder paint





Mammoth Half Coupler


SWL	500 Kg
D1	7mm
D2	47mm
D3	87mm
D4	Ø12.7mm
D5	17 & 19mm
D6	35mm
D7	Ø60 - 63mm
W	50mm
Kg	0.41 Kg

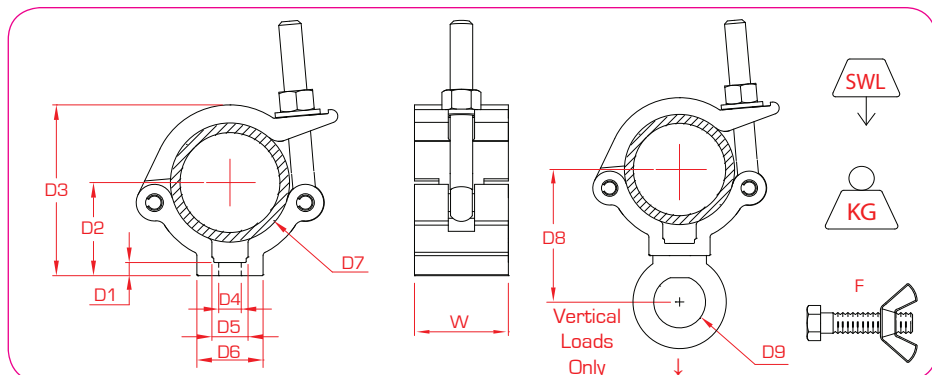
Mammoth Hook Clamp

SWL	500 Kg
D1	7mm
D2	47mm
D3	87mm
D4	Ø12.7mm
D5	17 & 19mm
D7	Ø60 - 63mm
W	50mm
Kg	0.49 Kg
F	M12x50

Mammoth Hanging Clamp

SWL	340 Kg
D8	74mm
D9	Ø30mm
W	50mm
Kg	0.51 Kg
F	M12 Eye Nut

 Tube Diameters
60 - 63mm





T57430 - Silver
T57431 - Black



T57420 - Silver
T57421 - Black



T57440 - Silver
T57441 - Black

Mammoth 90° Fixed

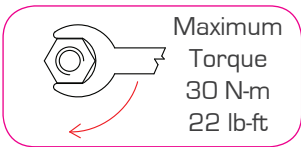
SWL	500 Kg
D1	94mm
D2	174mm
D3	Ø60 - 63mm
W	50mm
Kg	0.90 Kg

Mammoth Swivel Coupler

SWL	500 Kg
D1	94mm
D2	174mm
D3	Ø60 - 63mm
W	50mm
Kg	0.90 Kg

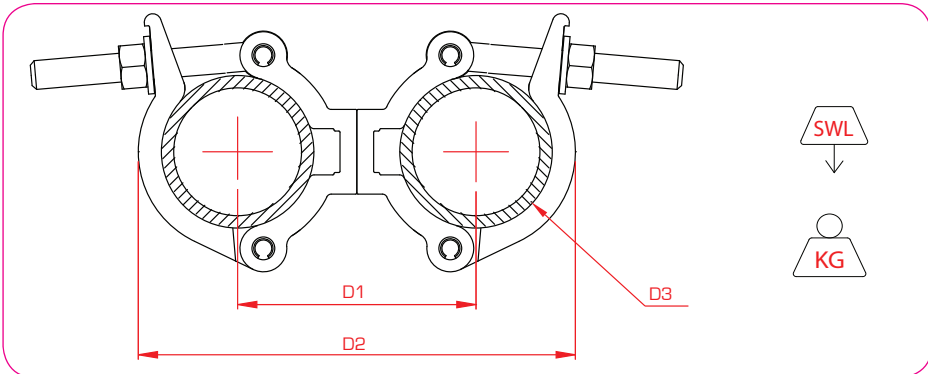
Mammoth Parallel Coupler

SWL	500 Kg
D1	94mm
D2	174mm
D3	Ø60 - 63mm
W	50mm
Kg	0.90 Kg



Maximum
Torque
30 N-m
22 lb-ft

Mammoth





T57405



T57415



T57455



T57406



T57416



T57456

Slimline Half Coupler

SWL	300 Kg
D1	7mm
D2	47mm
D3	87mm
D4	Ø12.7mm
D5	17 & 19mm
D6	35mm
D7	Ø60 - 63mm
W	30mm
Kg	0.41 Kg

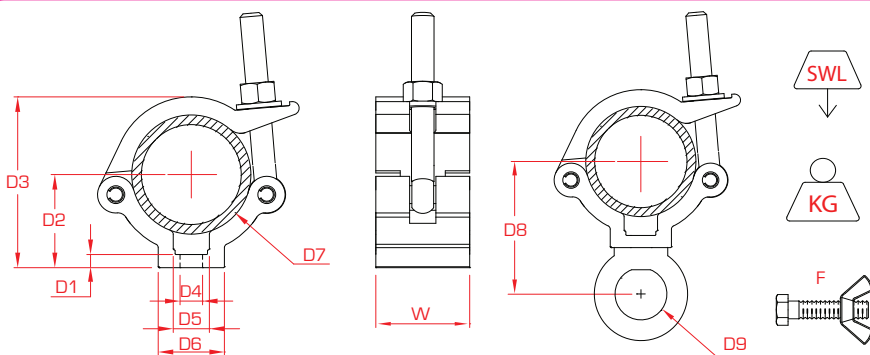
Slimline Hook Clamp

SWL	300 Kg
D1	7mm
D2	47mm
D3	87mm
D4	Ø12.7mm
D5	17 & 19mm
D7	Ø60 - 63mm
W	30mm
Kg	0.49 Kg
F	M12x50

Slimline Hanging Clamp

SWL	300 Kg
D8	74mm
D9	Ø30mm
W	30mm
Kg	0.51 Kg
F	M12 Eye Nut

Tube Diameters
60 - 63mm



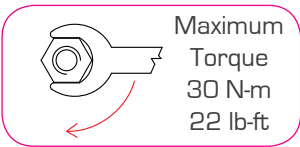


Slimline Swivel Coupler

SWL	300 Kg
D1	94mm
D2	174mm
D3	Ø60 - 63mm
W	50mm
Kg	0.90 Kg

Mammoth 60 to 50mm

SWL	300 Kg	D4	87mm
W	50mm	D5	157mm
Kg	0.90 Kg	D6	Ø48 - 51mm
		D7	Ø60 - 63mm



Mammoth

