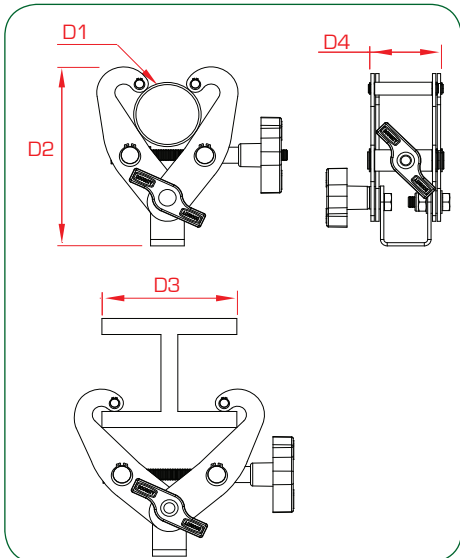


SCISSOR CLAMPS

The Scissor Clamp is available in two sizes, Light Duty with a SWL of 100 Kg & Heavy Duty with a SWL of 350 Kg. This clamp has been designed to clamp beams and tubes and has a black powder paint finish.



Scissor Clamps

	SWL	D1	D2	D3	D4	Kg
T29850	100 Kg	48-60mm	170mm	<120mm	62mm	1.40 Kg
T29860	350 Kg	48-60mm	170mm	<120mm	74mm	1.90 Kg