

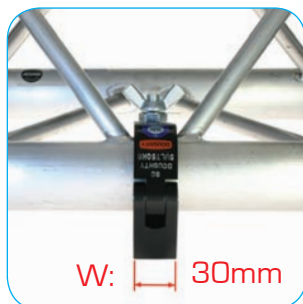
SLIMLINE DOUGHTY® CLAMPS

The Slimline range of Doughty® Clamps carry all the same features of the standard Doughty® clamp range. This range is 30mm wide to allow the clamps to be used between truss webs etc. The standard clamp is slotted capturing an M12 nut or bolt head. This clamp has been TÜV tested and approved with a SWL of 750 Kg.

Main features:

- SWL 750 Kg
- TÜV approval
- Captive M12 bolt
- Fits 48 - 51mm diameter tubes
- High tensile aluminium





Slimline Standard

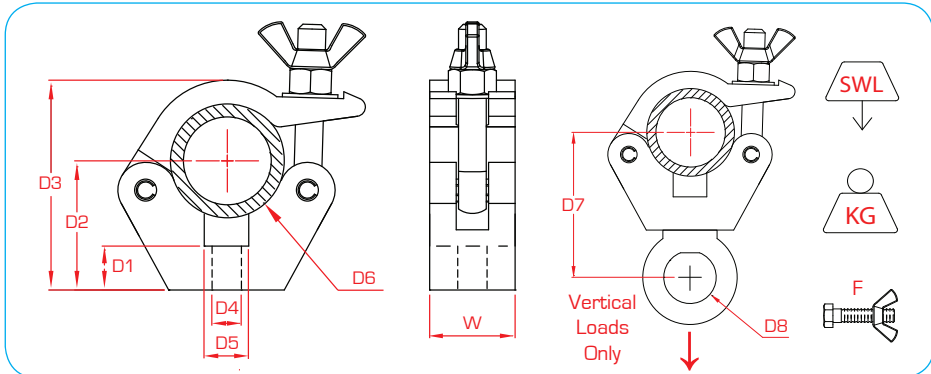
SWL	750 Kg
D1	19mm
D2	55mm
D3	90mm
D4	Ø12.7mm
D5	19mm
D6	Ø48 - 51mm
W	30mm
Kg	0.41 Kg

Slimline Hook Clamp

SWL	750 Kg
D1	19mm
D2	55mm
D3	90mm
D4	Ø12.7mm
D5	19mm
D6	Ø48 - 51mm
W	30mm
Kg	0.50 Kg
F	M12x50

Slimline Hanging Clamp

SWL	340 Kg
D7	82mm
D8	Ø30mm
W	30mm
Kg	0.61 Kg





T58030 - Silver
T58031 - Black



T58026



T58018 - Euro Spec
T58022 - Din Spec

Slimline Swivel Coupler

SWL	750 Kg
D1	110mm
D2	180mm
D3	∅48 - 51mm
W	30mm
Kg	0.89 Kg

Slimline Little Tom

SWL	N/A
D6	121mm
D5	66mm
D4	∅19mm
W	30mm
Kg	0.44 Kg

Slimline Big Ben

SWL	200 Kg
D6	170mm
D7	∅28mm
W	30mm
Kg	0.48 Kg

