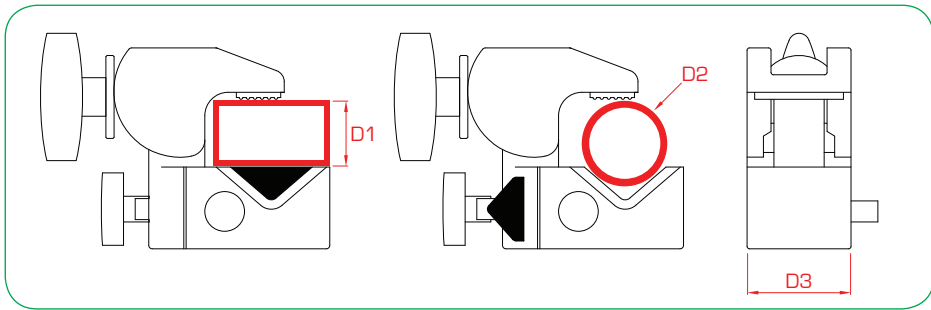


SUPACLAMPS

Supaclamps are pressure die cast aluminium clamps capable of clamping any surface from 13mm flat to 50mm diameter poles. Rubber grip pads prevent damage to surfaces. Supplied with a wedge to grip flat surfaces. There is a full range of snap in accessories to complement these versatile clamps.





Supaclamps

Part No	D1	D2	D3	Kg
G1160 - Silver	13 - 30mm	Ø15 - 50mm	45mm	0.45 Kg
G116001 - Black	13 - 30mm	Ø15 - 50mm	45mm	0.45 Kg



M10 x 25 Rotating Stud
G1177



Snap In Camera Spigot
G1178



10mm Snap-in Pin
G1167

12mm Snap-in Pin
G1166

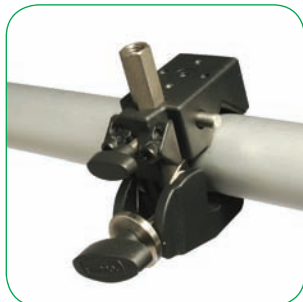
16mm Snap-in Pin
G1165



M12 x 30 Stud
G1168

M10 x 25 Stud
G1169

Joining Stud/Swivel
G1170



M12 x 35 Socket
G1171

M10 x 30 Socket
G1172

150mm Extension
G1173



Offset Arm
G1174

Swivel Hook
G1175

100mm Mounting Plate
G1176