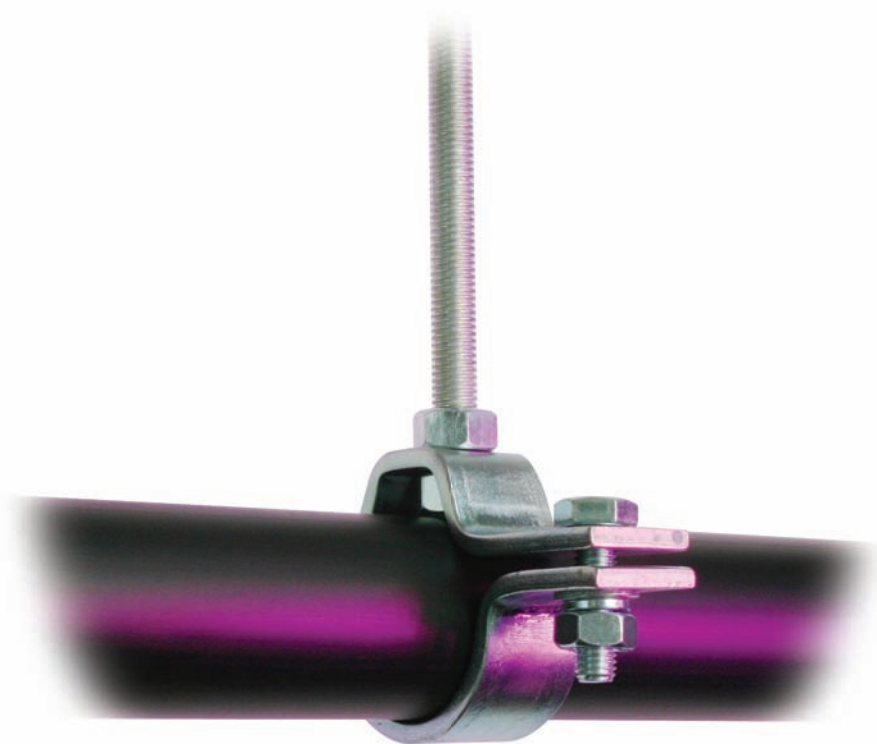


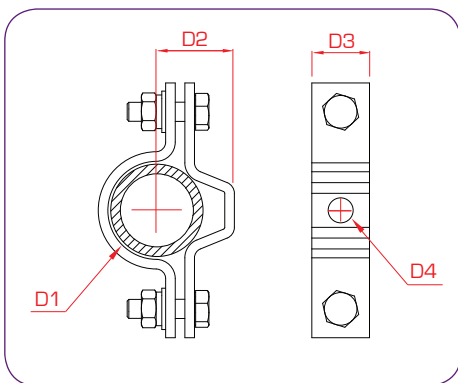
SUSPENSION CLAMPS

The Doughty® range of Suspension Clamps is a range of steel bracketry manufactured predominantly from flat steel bar.

This range can be used to suspend truss and tubes as well as flying luminaires from the steel boom arms.

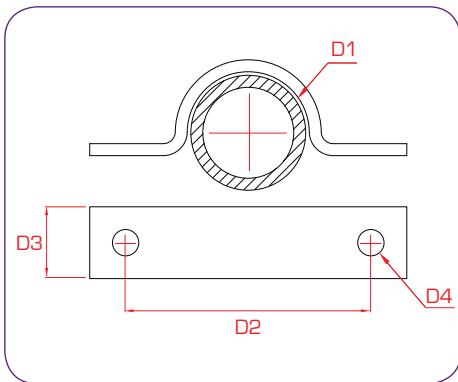
Manufactured and tested in our UK factory, quality is assured.





Universal Clamps

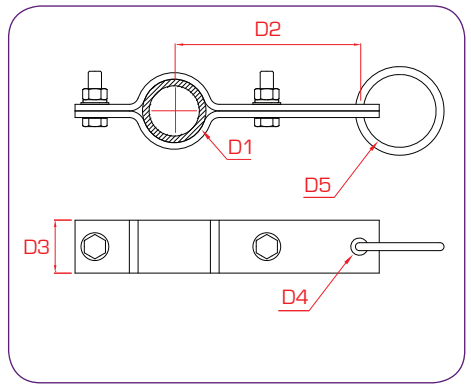
	SWL	D1	D2	D3	D4	Kg
T30400	200 Kg	Ø48mm	40mm	30mm	M12	0.43 Kg
T30404 (Black)	200 Kg	Ø48mm	40mm	30mm	M12	0.43 Kg
T30401	150 Kg	Ø38mm	30mm	25mm	M8	0.30 Kg
T30402	100 Kg	Ø25mm	22mm	20mm	M6	0.30 Kg



Saddle Clamps

	SWL	D1	D2	D3	D4	Kg
T30800	200 Kg	Ø48mm	102mm	30mm	11mm	0.21 Kg
T30801 (Black)	200 Kg	Ø48mm	102mm	30mm	11mm	0.21 Kg
T30804	150 Kg	Ø38mm	84mm	25mm	8.5mm	0.13 Kg
T30806	150 Kg	Ø25mm	70mm	20mm	7mm	0.05 Kg



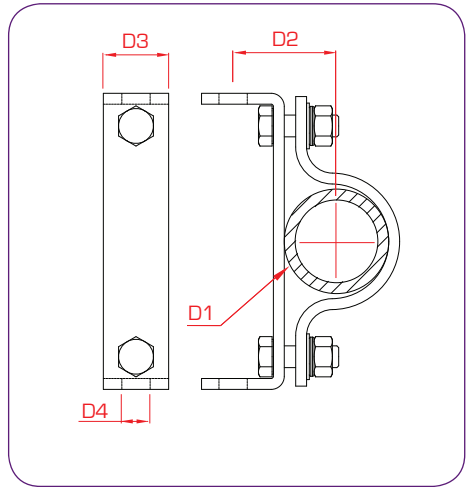


Hanging Clamps (to suit Shackles)

	SWL	D1	D2	D3	D4	Kg
T32100	250 Kg	Ø48mm	140mm	45mm	13mm	0.84 Kg
T32102	100 Kg	Ø38mm	85mm	25mm	9mm	0.33 Kg
T32103	100 Kg	Ø25mm	65mm	20mm	9mm	0.14 Kg

Hanging Clamp with Ring

	SWL	D1	D2	D3	D5	Kg
T32000	100 Kg	48mm	140mm	45mm	50mm	0.86 Kg
T32001 (Black)	100 Kg	48mm	140mm	45mm	50mm	0.86 Kg
T32002	100 Kg	38mm	85mm	25mm	40mm	0.34 Kg



Stud Hanger

	SWL	D1	D2	D3	D4	Kg
T30300	100 Kg	Ø48mm	48mm	30mm	13mm	0.50 Kg

Steel Boom Arms



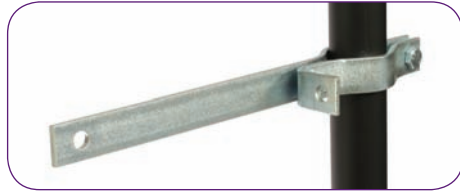
T30500 - Standard



T31500 - Straight



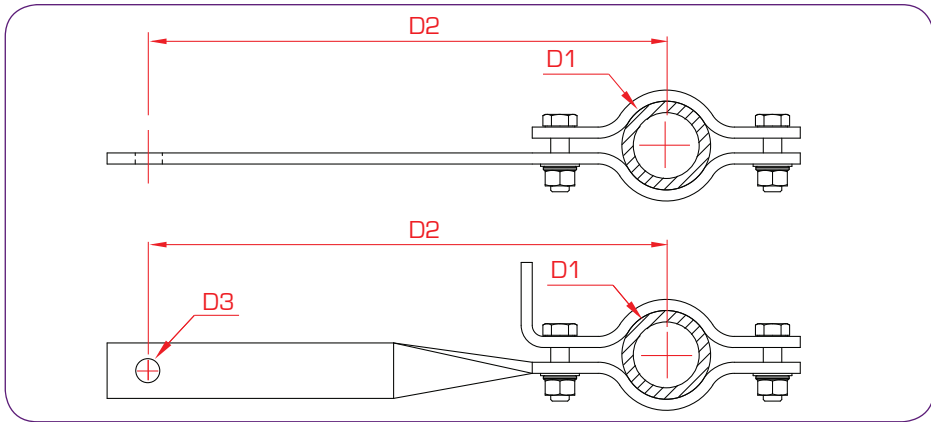
T30600 - Standard (with safety point)



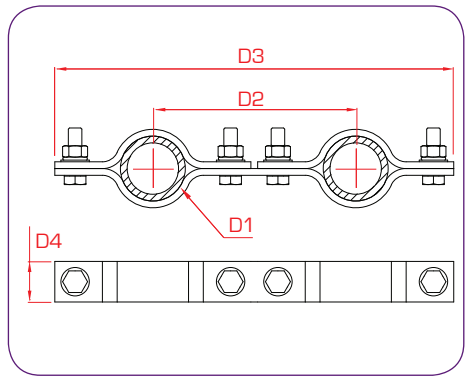
T31600 - Straight (with safety point)



T31700 - Double

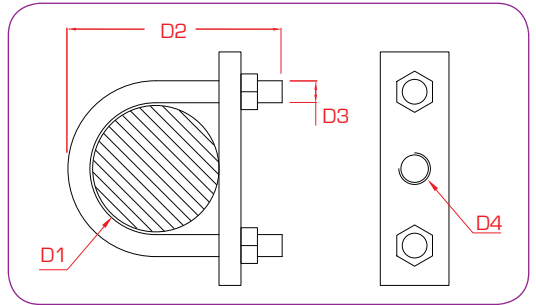
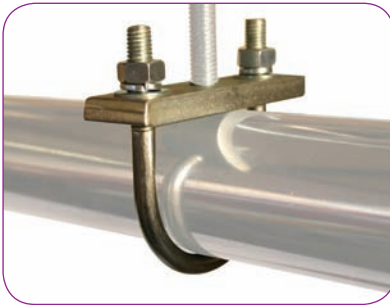


	SWL	D1	D2	D3	D4	Kg
T30500	12 Kg	Ø48mm	280mm	13mm	N/A	0.83 Kg
T30600	12 Kg	Ø48mm	280mm	13mm	N/A	0.88 Kg
T31500	16 Kg	Ø48mm	280mm	13mm	N/A	0.83 Kg
T31600	16 Kg	Ø48mm	280mm	13mm	N/A	0.88 Kg
T31700	12 Kg	Ø48mm	280mm x 2	13mm	N/A	1.11 Kg



Pipe to Pipe Clamps

	SWL	D1	D2	D3	D4	Kg
T30700	220 Kg	Ø48mm	150mm	300mm	30mm	0.83 Kg
T30900	220 Kg	Ø48mm	225mm	375mm	30mm	0.97 Kg
T31000	220 Kg	Ø48mm	300mm	450mm	30mm	1.10 Kg



'U' Bolts with Plate

	SWL	D1	D2	D3	D4	Kg
T32400	140 Kg	Ø32mm	62mm	M8	M10	0.15 Kg
T32500	140 Kg	Ø32mm	62mm	M8	M12	0.15 Kg
T33400	140 Kg	Ø48mm	78mm	M8	M10	0.19 Kg
T33500	140 Kg	Ø48mm	78mm	M8	M12	0.19 Kg



'U' Bolts

T56500	32mm
T56600	48mm



'U' Bolt Arch

T56800 To Suit 48mm 'U' Bolts



Extension Plate

T33600	30 x 5 x 265mm
--------	----------------