

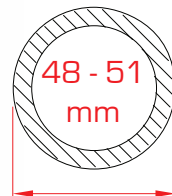
TRIGGER[®] CLAMPS

The Doughty Trigger[®] Clamp is constructed from high tensile aluminium extrusion making it not only lightweight, but extremely strong, with a safe working load and TÜV approval of 200 Kg.

Designed to allow one person to hang heavy luminaires and scanners, the weight of the object being hung becomes it's own safety factor by automatically closing the trigger and the bottom half of the clamp. This unique feature allows the luminaires to be easily positioned and securely 'locked off' using the large tee 'easygrip' handle.

Main features:

- SWL 200 Kg
- TÜV approval
- Captive M12 bolt
- Fits 48 - 51 mm diameter tubes
- High tensile aluminium
- Available in polished aluminium or black powder paint





Basic Trigger® Clamp


SWL	200 Kg
D1	11mm
D2	86mm
D3	121mm
D4	Ø12.7mm
D5	19mm
D6	97mm
D7	Ø48 - 51mm
W	30mm
Kg	0.50 Kg

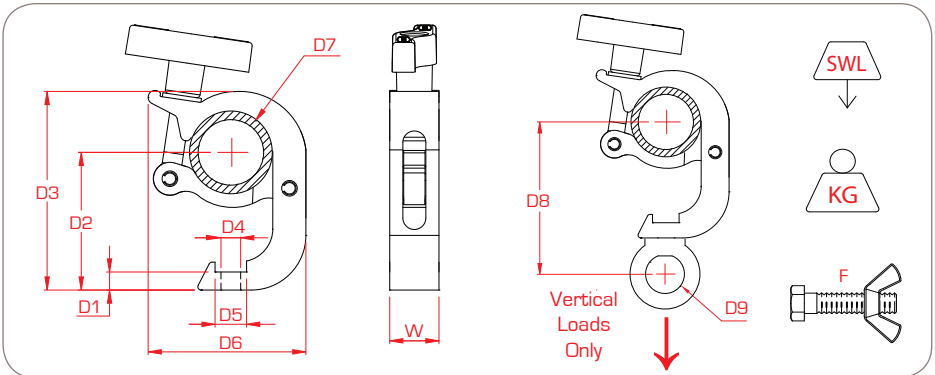
Trigger® Hook Clamp

SWL	200 Kg
D1	11mm
D2	86mm
D3	121mm
D4	Ø12.7mm
D5	19mm
D7	Ø48 - 51mm
W	30mm
Kg	0.58 Kg
F	M12x50

Trigger® Hanging Clamp

SWL	200 Kg
D8	113mm
D9	Ø30mm
W	30mm
Kg	0.71 Kg
F	M12 Eye Nut

 Tube Diameters 48 - 51mm

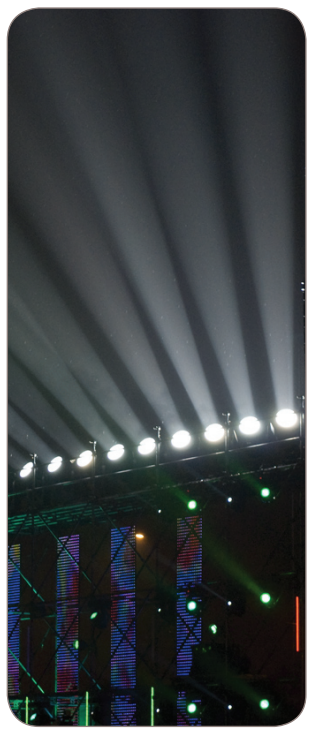




T58865 - Din Spec
T58867 - Euro Spec



T58869 - Silver
T5886901 - Black



Trigger® Big Ben

SWL	200 Kg
D1	201mm
D2	115mm
D3	Ø28mm
Kg	0.73 Kg

Trigger® TV Clamp

SWL	200 Kg
D4	221mm
D5	135mm
D6	Ø29mm
Kg	1.09 Kg

Trigger®

