

# 3 POINT RECEIVER

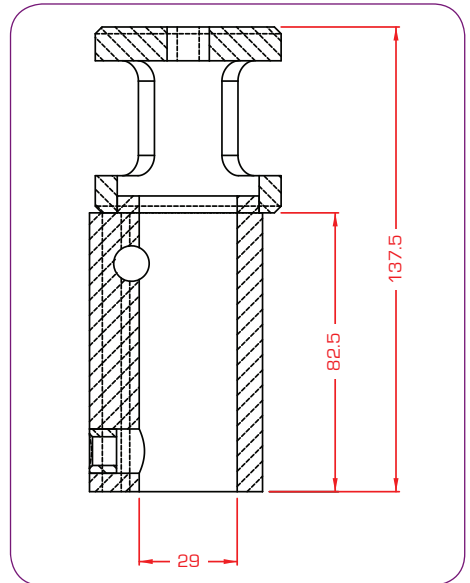
Manufactured from high tensile aluminium and designed with a leading TV/Grip supplier, the 3 Point Receiver has been carefully designed to incorporate the following three safety points:

1. A 6mm diameter pin designed to take the initial load quickly and safely
2. Our standard sword pin which allows 360° rotation
3. A Doughty® knob which enables the luminaire to be locked at a chosen point of rotation

T84300 - Black

T84310 - Silver

**SWL 100 Kg**



The 3 Point Receiver has a SWL of 100 Kg and accepts 28mm [1-1/8"] Spigots of either Euro or Din spec. This receiver can be factory fitted to the majority of our aluminium clamp range and also be fitted to pantographs on request.

There is a 12mm mounting hole for use with clamps and two 6mm holes for other applications. Receivers can be fitted by an authorised service agent.

The 3 Point Receiver is also a key part of our Studio Rail System.

Available either powder painted black or as polished aluminium.