

GRIP EQUIPMENT

Doughty Grip Equipment is a range of British designed and manufactured lighting support for studios and locations of all types. These products have been manufactured for a high degree of performance to give solutions to challenging lighting demands.





Large Griphead

G1200 - Silver	2.40 Kg
G120001 - Black	2.40 Kg

The 115mm Large Griphead features an offset 29mm receiver to accommodate luminaires. The clamp plates are designed to accept 25, 20, 16 & 12mm diameter poles/arms. The conical clamping system enables items up to 50mm square or of irregular shape to be clamped securely.



Standard Griphead

G1210 - Silver	0.70 Kg
G121001 - Black	0.70 Kg

The 65mm Standard Griphead features an offset 16mm receiver. The clamp plates are designed to accept 16, 12, 10 & 6mm diameter pins/arms for flags, scrimms etc. The conical clamping system enables items of irregular shape to be clamped securely.



Double Griphead

G1220	1.30 Kg
-------	---------

Two independently operable gripheads mounted on a 10mm x 170mm stainless steel spike.



150mm Pin with Collar

G1260	0.23 Kg
-------	---------

This Pin enables lightweight luminaires fitted with a 17mm receiver to be mounted to any griphead. The collar acts as a safety stop when inverted.



Snap-In Griphead

G1221 Snap-In Griphead 1.30 Kg

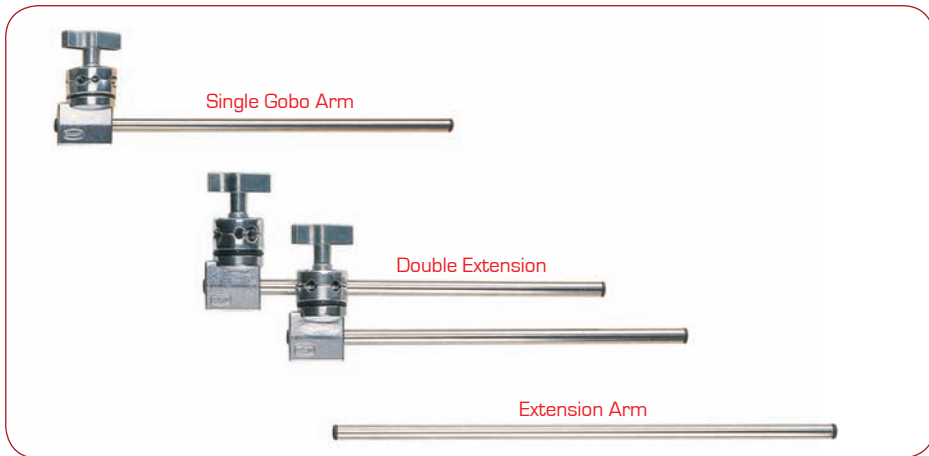
Factory fitted with a snap in pin for use in conjunction with the G1160 Supaclamp or similar accessories.



Supaclamp

G1160 Supaclamp 0.45 Kg

Designed to grip any surface from 5mm flats to 50mm diameter poles, the Supaclamp features a snap-in receiver.



Single Gobo Arm

Double Extension

Extension Arm

Gobo Arms

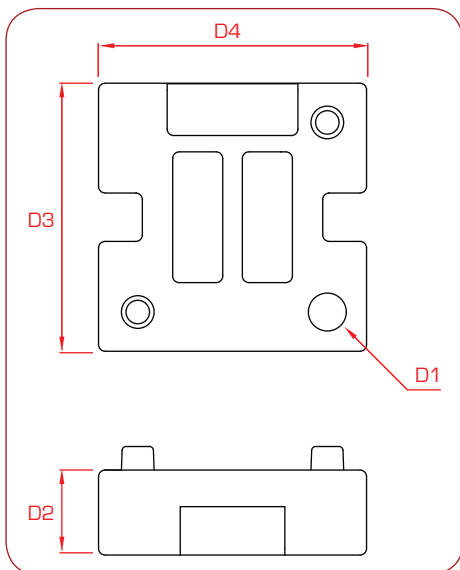
Part No		Kg
G1230	500mm x 16 mm Single Gobo Arm	0.84 Kg
G1235	1000mm x 16 mm Single Gobo Arm	1.06 Kg
G1240	500mm x 16 mm Double Extension	1.68 Kg
G1245	1000mm x 16 mm Double Extension	2.14 Kg
G1250	500mm x 16 mm Stainless Steel Extension Arm	0.23 Kg
G1255	1000mm x 16 mm Stainless Steel Extension Arm	0.46 Kg



Polyholders

Part No	Kg
G1140 Poly Holder 25mm	0.62 Kg
G1142 Poly Holder 40mm	0.80 Kg
G1141 Poly Holder 50mm	0.83 Kg

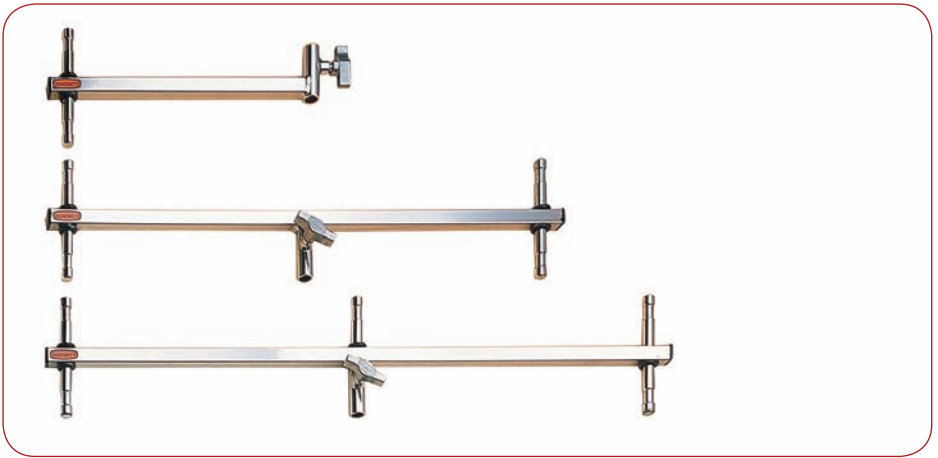
Polyholders comprise of two 225 x 150mm aluminium plates powder painted black one side and white on the reverse. Fitted with a 10mm pin for use with gripheads.



Brace Weight

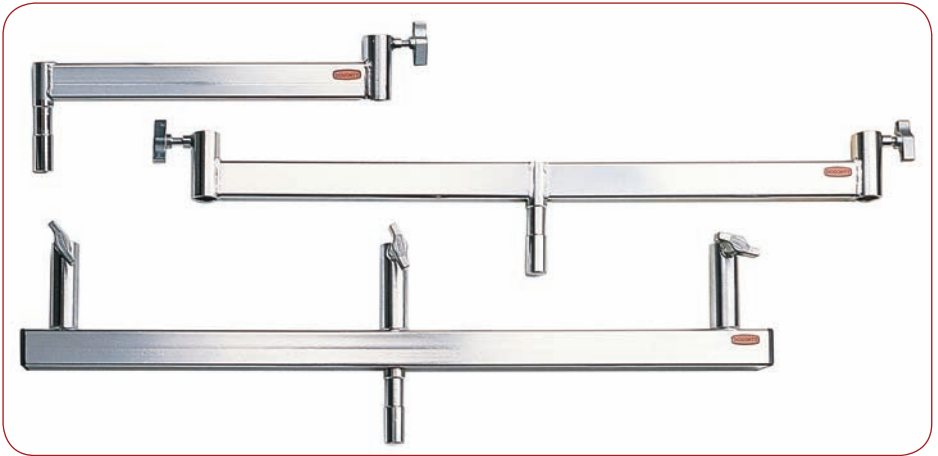
Part No	D1	D2	D3	D4	Kg
T61700	29mm	65mm	205mm	205mm	12.5 Kg

A cast steel stacking weight with 29mm receiver, compatible with most major brands.



Baby Arms and Headers

Part No	Length	Spigots	Receiver	Kg
G1330 Baby Offset Arm	350mm	2 x 16mm	17mm	0.74 Kg
G1335 Baby Doubler Header	700mm	4 x 16mm	17mm	1.29 Kg
G1340 Baby Triple Header	850mm	5 x 16mm	17mm	1.55 Kg



Junior Arms and Headers

Part No	Length	Receivers	Spigot	Kg
G1300 Junior Offset Arm	450mm	1 x 29mm	28mm	2.53 Kg
G1310 Junior Doubler Header	900mm	2 x 29mm	28mm	4.24 Kg
G1315 Junior Triple Header	1000mm	3 x 29mm	28mm	5.00 Kg



Baby Adjustable Side Arm

G1345

0.76 Kg

The Baby Adjustable Side Arm is mounted to a vertical (1.25") 32mm tube or stand riser with a G1350 Vee Clamp. The side arm is 500mm long and the spigots are 16mm. Vee Clamp sold separately.



Junior Adjustable Side Arm

G1320

1.42 Kg

The Junior Adjustable Side Arm is mounted to a vertical (1.25") 32mm tube or stand riser with a G1350 Vee Clamp. The side arm is 500mm long and the receiver is 29mm. Vee Clamp sold separately.

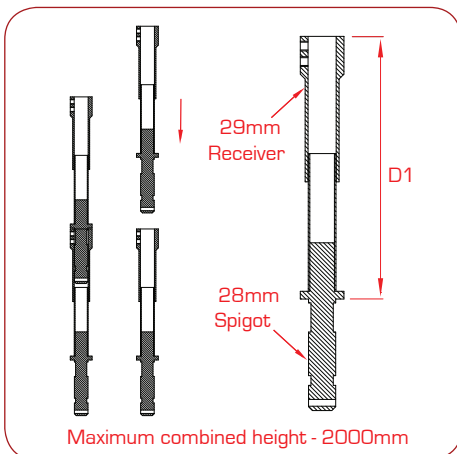


Junior Adjustable

G1305 Junior Adjustable Offset Arm

2.40 Kg

The Junior Adjustable Offset Arm is fitted with a 28mm Spigot and 29mm receiver and is adjustable from 430mm to 700mm centres.



Low Lifts			
Part No	D1	Spec	Kg
T44450	135mm	Euro spec	0.98 Kg
T44460	270mm	Euro spec	1.36 Kg
T44470	405mm	Euro spec	1.49 Kg
T44475	675mm	Euro spec	1.74 Kg
T44500	1000mm	Euro spec	2.01 Kg
T44480	135mm	Din spec	0.98 Kg
T44482	270mm	Din spec	1.36 Kg
T44484	405mm	Din spec	1.49 Kg
T44486	675mm	Din spec	1.74 Kg
T44505	1000mm	Din spec	2.01 Kg

Extension Poles (28mm spigot/ receiver)

Part No	Length	Kg
T44640	1000mm to 1650mm	3.70 Kg
T44645	1080mm to 2500mm	5.20 Kg
T44650(black)	1080mm to 2500mm	5.20 Kg

Extension poles and low lifts can be used in floor plates and bases or as a stand extension. Fitted with a Multihead receiver which comprises of a 29mm receiver combined with a pop up 16mm spigot. Not to be used as Drop Arms - For Lifting Only.



Double Risers

Part No	Size	Finish	Kg
G2020	770 - 1500mm	Chrome	3.37 Kg
G2021	1020 - 2260mm	Chrome	4.50 Kg
G2022	1270 - 3000mm	Chrome	5.40 Kg
G2023	1780 - 4520mm	Chrome	6.20 Kg
G202001	770 - 1500mm	Black	3.37 Kg
G202101	1020 - 2260mm	Black	4.50 Kg
G202201	1270 - 3000mm	Black	5.40 Kg
G202301	1780 - 4520mm	Black	6.20 Kg

Fitted with 16 & 29mm spigots.



Universal Hanger

G2024 Universal Hanger 1.64 Kg

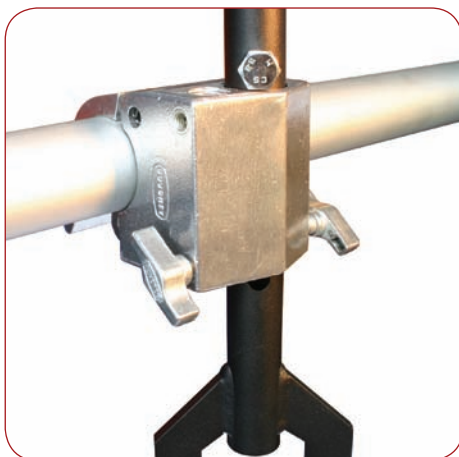
An extending hanger used to suspend equipment from barrel truss grids. Fitted with a 48 - 51mm coupler and 29mm receiver, the Universal Hanger extends from 280 mm - 2160 mm.



Grip Helper

G2025 Grip Helper 4.60 Kg

An angled extending arm fitted with a 29mm receiver/spigot combination and a Large Griphead. The Grip Helper allows a scrim, silk or blackout to be mounted with a luminaire on the same stand. Length is adjustable from 845mm to 1280mm.



Single Ended Drop Arms

Part No	Length	Spigots	Receiver	Kg
T45610	250mm	Fits Barrel Socket Clamp (G1115)	29mm	1.66 Kg
T45612	500mm	Fits Barrel Socket Clamp (G1115)	29mm	1.85 Kg
T45614	750mm	Fits Barrel Socket Clamp (G1115)	29mm	2.04 Kg
T45616	1000mm	Fits Barrel Socket Clamp (G1115)	29mm	2.23 Kg
T45618	2000mm	Fits Barrel Socket Clamp (G1115)	29mm	4.46 Kg

Adjustable drop using pre-drilled holes in 28mm dia tube and a securing pin.



Double Ended Drop Arms

Part No	Length	Spec	Kg	Part No	Length	Spec	Kg
T45400	500mm	Euro spec	2.17 Kg	T45401	500mm	Din spec	2.17 Kg
T45500	1000mm	Euro spec	2.65 Kg	T45501	1000mm	Din spec	2.65 Kg
T45600	2000mm	Euro spec	3.79 Kg	T45601	2000mm	Din spec	3.79 Kg

Fixed length drop with 28mm spigot and 29mm receiver. Enables luminaire to rotate.

**16mm Pin Wall Plate**

G1405

0.46 Kg

A 100mm x 100mm plate with 16mm spigot and corner fixing holes.

**Baby Receiver Wall Plate**

G1128

0.37 Kg

A 100mm x 100mm plate with 16mm receiver and corner fixing holes.

**Junior Wall Plate**

G1129

0.85 Kg

A 120mm x 120mm plate with 29mm receiver and corner fixing holes.

**Baby Grid Clamp**

G1197

0.78 Kg

A standard Doughty T57000 Clamp fitted with a \varnothing 16mm spigot 70mm long.

 **\varnothing 16mm Pin Hook Clamp**

G1415

0.40 Kg

A standard Doughty T20100 Hook Clamp fitted with a \varnothing 16mm spigot.

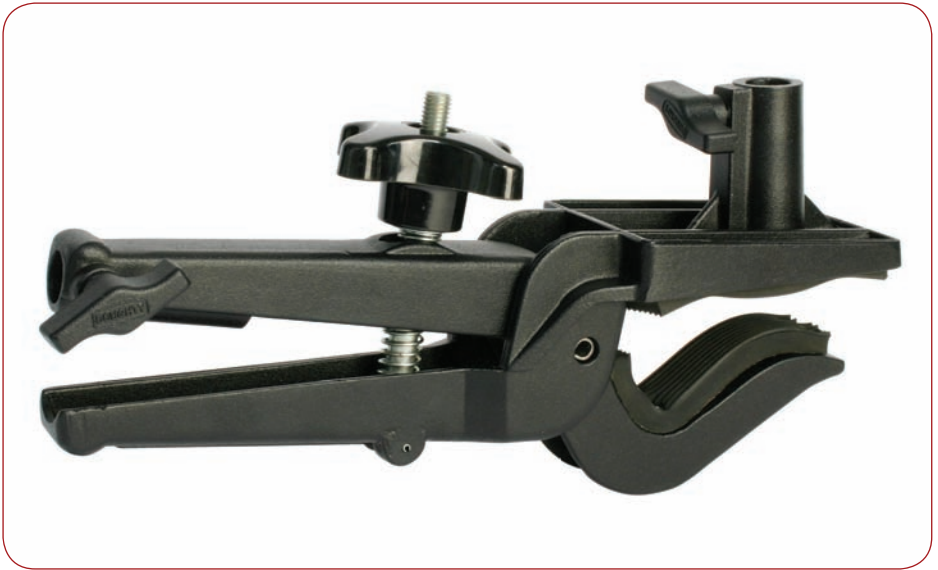


Flat Clamp

G1001 Flat Clamp

1.28 Kg

A medium duty scenery clamp which clamps up to 100mm and includes a fixed 29mm receiver and lynch pin.



Gaffer Grip

G1000 Large Gaffer Grip

1.20 Kg

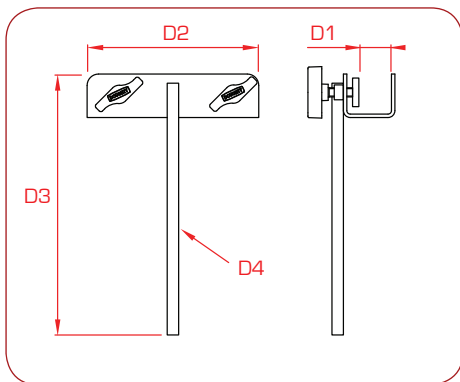
A quick release clamp which grips flat surfaces and barrel and provides two 16mm receivers.



Modified 'G' Clamps

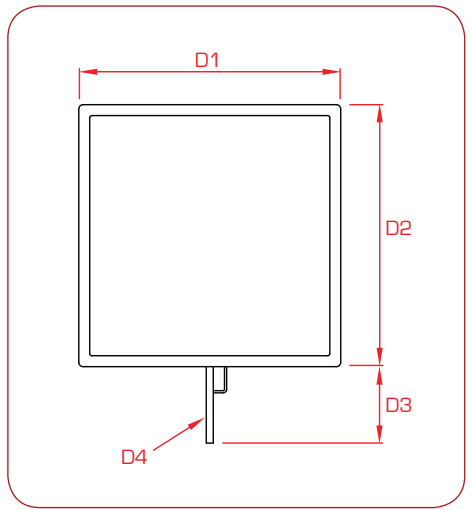
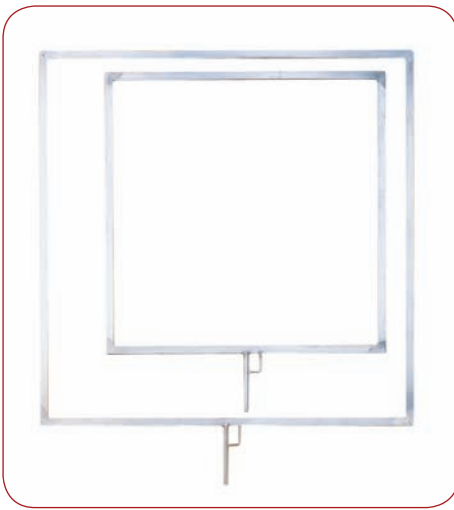
Part No		Kg	
G1104	100mm Python Clamp	clamps 0 to 100mm	1.28 Kg
G1106	150mm Python Clamp	clamps 0 to 150mm	2.33 Kg
G1108	200mm Python Clamp	clamps 0 to 200mm	2.87 Kg
G1110	250mm Python Clamp	clamps 0 to 250mm	3.63 Kg

A range of 'G' clamps fitted with dual position 29mm receiver. Modified jaws have been added to clamp flat surfaces or round bars.



Frame Clamps

Part No	D1	D2	D3	D4	Kg
G1113	50mm	150mm	230mm	Ø10mm	1.00 Kg
G1114	25mm	150mm	230mm	Ø10mm	0.74 Kg



Aluminium Flat Frames (25 x 6 flat)

Part No	D1	D2	D3	D4	Kg
G3015 (24" x 24")	610mm	610mm	190mm	Ø16mm	1.00 Kg
G3016 (36" x 36")	915mm	915mm	190mm	Ø16mm	1.29 Kg
G3018 (48" x 48")	1220mm	1220mm	190mm	Ø16mm	1.69 Kg



Sand Bags

G3301

Capacity - 10 Kg Sand - 18 Kg Shot