

SPECIALITY COUPLERS

The speciality coupler range is a comprehensive range of clamps allowing the end user to overcome almost any tricky rigging situation.

Side Entry Clamps can be used to create cross braces where a firm fixing is required and a claw clamp is not appropriate. Ideal for flying equipment in positions where a standard coupler cannot be closed.

Barrel Socket Clamps are typically used for instruments or luminaires with a 16 or 29mm pin fitted.

Panel Clamps can be used to secure panels or shelves and are particularly useful in the exhibition industry.

Locking Elbows have been specifically designed for use in the manufacture of folding trusses although they are proving useful in a multitude of different applications. (requires welding).

Claw Clamps are a range of snap on fixing clamps suitable for light duty bracing and outriggers. (requires welding).

Finial Couplers are used to construct a swivelling joint on braces etc. (requires welding).

Pivot Hinges provide a firm fixing between adjacent bars whilst allowing 360° rotation and 180° of lateral movement. (requires welding).

Knuckle Joints create an articulating joint between two tubes. (requires welding).

Stabiliser Couplers generally used in brace construction. (requires welding).



T58780 - Silver
T58782 - Black



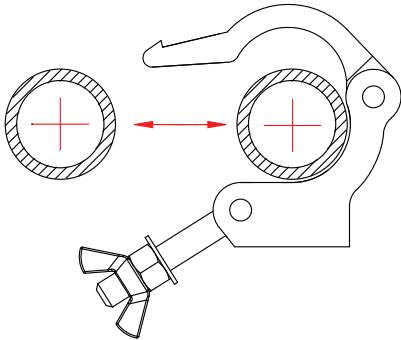
T58781 - Silver
T58783 - Black

Side Entry Clamps

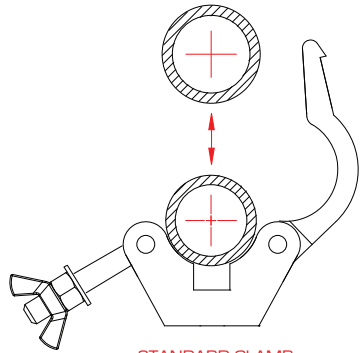
SWL	750 Kg
D1	Ø12.7mm
D2	50mm
D3	Ø48 - 51mm
D4	53mm
W2	50mm
Kg	0.56 Kg

Slimline Side Entry Clamps

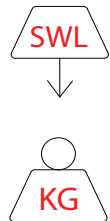
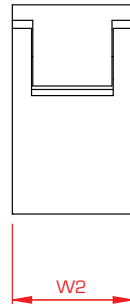
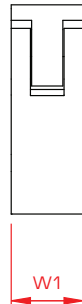
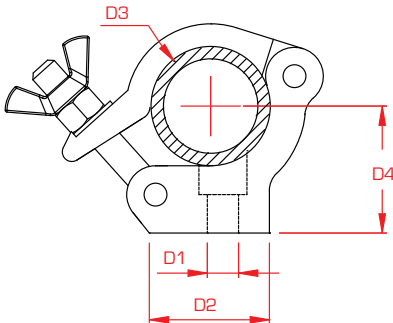
SWL	750 Kg
D1	Ø12.7mm
D2	50mm
D3	Ø48 - 51mm
D4	53mm
W1	30mm
Kg	0.36 Kg



SIDE ENTRY CLAMP



STANDARD CLAMP





G1115 - Silver
G111501 - Black



Barrel Socket Clamp

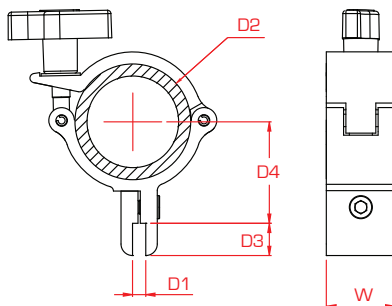
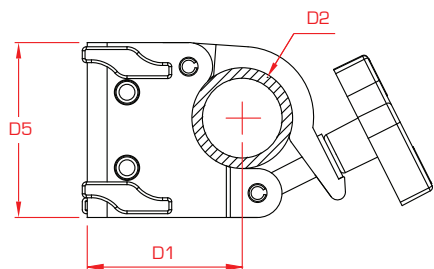
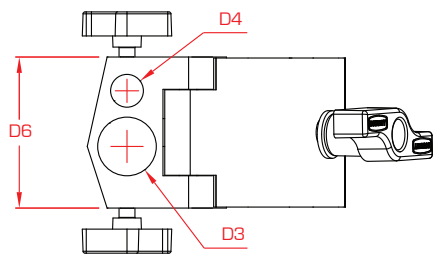
SWL	250 Kg
D1	78mm
D2	Ø48 - 51mm
D3	Ø29mm
D4	Ø16.5mm
D5	88mm
D6	76mm
Kg	0.93 Kg



T58130 - Silver
T5813001 - Black

Panel Clamp

SWL	N/A
D1	5 - 10mm
D2	Ø48 - 51mm
D3	14mm
D4	44mm
W	30mm
Kg	0.16 Kg





T58790 - 47mm
 T58791 - 45mm
 T58792 - 41.5mm
 T58793 - 39.5mm



T58795



T58756 - Ø48 mm x 47mm
 T58757 - Ø48 mm x 44mm
 T58758 - Ø48 mm x 41.5mm
 T58759 - Ø48 mm x 39.5mm
 T58760 - Ø50 mm x 47mm
 T58761 - Ø50 mm x 44mm
 T58762 - Ø50 mm x 41.5mm
 T58763 - Ø50 mm x 39.5mm

Locking Elbows

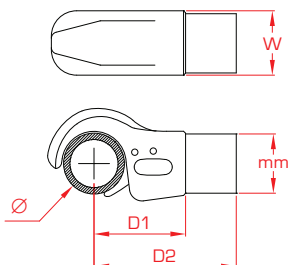
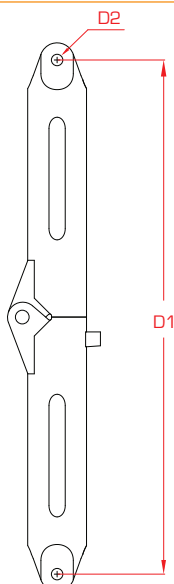
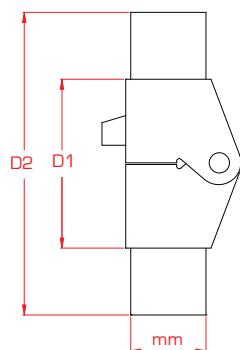
D1	100mm
D2	180mm
Kg	0.72 Kg

Locking Elbow Assy

D1	450mm
D2	Ø10mm
Kg	1.60 Kg

Claw Clamps

D1	72mm
D2	112mm
W	50mm
Kg	0.39 Kg





T58735 - Swivelling 47mm
 T58736 - Swivelling 45mm
 T58738 - Swivelling 41.4mm
 T58739 - Swivelling 39.5mm

T58740 - Fixed 47mm
 T58741 - Fixed 45mm
 T58743 - Fixed 41.4mm
 T58744 - Fixed 39.5mm



T57249



T57250



T58750 - 47mm
 T58751 - 45mm
 T58753 - 41.4mm
 T58754 - 39.5mm

Finial Coupler

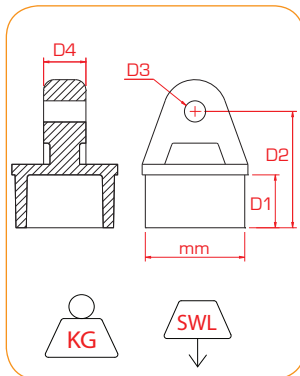
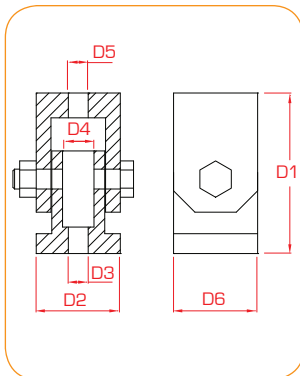
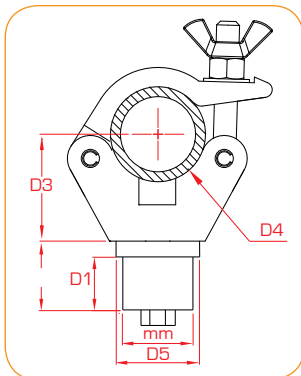
D1	19mm
D2	55mm
D3	90mm
D4	Ø12mm
D5	Ø48 - 51mm
W	50mm
Kg	0.86 Kg

Pivot Hinge

D1	97mm
D2	50mm
D3	Ø12mm
D4	Ø19mm
D5	Ø12mm
D6	50mm
Kg	0.79 Kg Hinge Only
Kg	1.96 Kg with Clamps

Pivot Plug

D1	25mm
D2	55mm
D3	Ø10mm
D4	20mm
Kg	0.16 Kg





T58745 - 47mm
 T58746 - 45mm
 T58748 - 41.4mm
 T58749 - 39.5mm



T58730 - 47mm
 T58731 - 45mm
 T58733 - 41.4mm
 T58734 - 39.5mm



T58720 - Clamp Only
 T58725 - 47mm
 T58726 - 45mm
 T58728 - 41.4mm
 T58729 - 39.5mm

Foot Casting

D1	25mm
D2	62mm
D3	∅10mm
D4	21mm
D5	50mm
Kg	0.16 Kg

Knuckle Joint

D1	117mm
KG	0.35 Kg

Stabiliser Coupler

D1	61mm	
D2	75mm	
D3	110mm	
D4	41mm	
D5	21mm	
D6	∅48 - 51mm	
W	50mm	
Kg	0.55 Kg	Clamp only
Kg	0.67 Kg	with Plug

