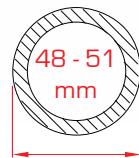


TRUSS ADAPTORS

Truss Adaptors enable triangular and square truss sections to be mounted to any of the Doughty® winch stand range. This system provides the means to lift truss sections into place safely. The range of Hanging Truss Adaptors have been designed to suspend truss sections with a chain hoist.

Main features:

- Provides a safe and secure means of lifting truss
- Adjustable to suit most truss sizes
- High tensile 6082-T6 aluminium couplers
- High quality silver powder paint

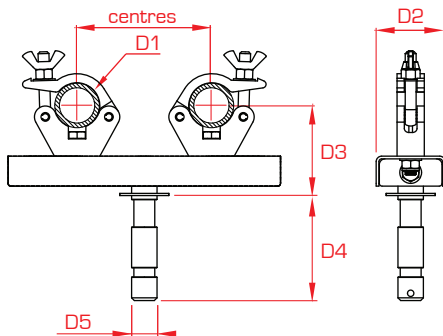
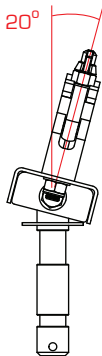


Swivel Truss Adaptor

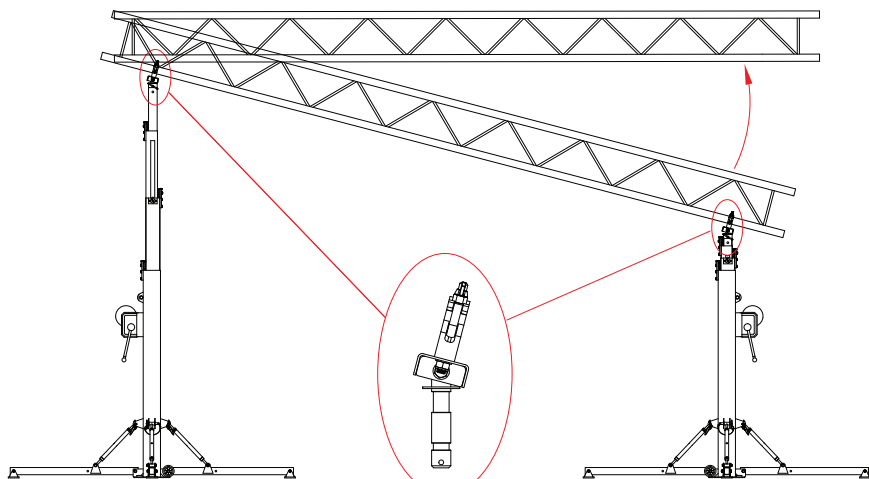
SWL	200 Kg
D1	Ø48 - 51mm
D2	76mm
D3	100mm
D4	115mm
D5	Ø28mm

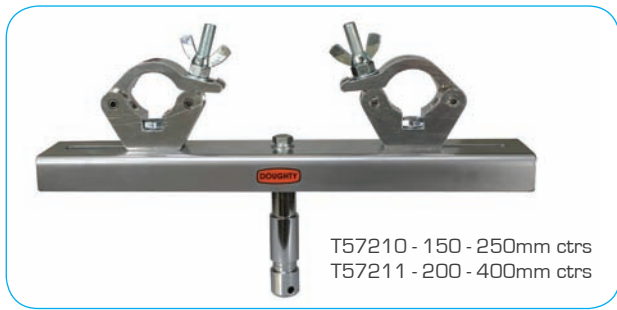


T55704 - 150 - 250mm ctrs
T55705 - 200 - 400mm ctrs



Suitable for all triangular and square truss sections. The Swivel Truss Adaptor allows one person to rig a truss between two winch stands. Each stand can be raised individually until the required height is achieved.



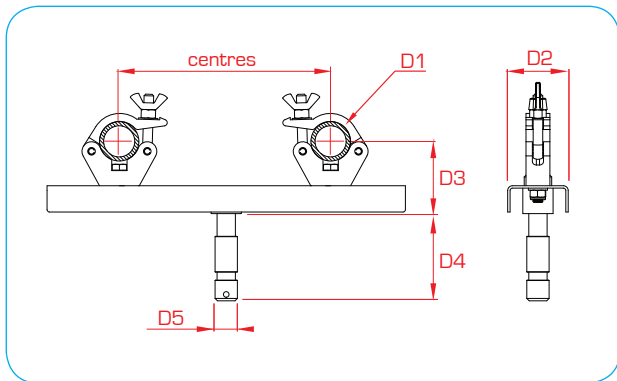


T57210 - 150 - 250mm ctrs
T57211 - 200 - 400mm ctrs

Fixed Truss Adaptor

SWL	200 Kg
D1	Ø48 - 51mm
D2	76mm
D3	91mm
D4	109mm
D5	Ø28mm

Suitable for all triangular and square truss sections. The Fixed Adaptor provides a firm fixing for more elaborate truss constructions. Supplied with two slimline couplers.



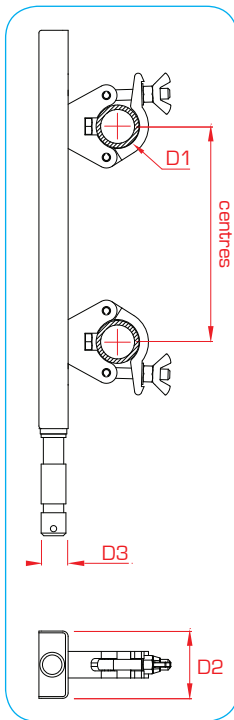
Fixed Ladder Truss Adaptor

SWL	200 Kg
D1	Ø48 - 51mm
D2	76mm
D3	Ø28mm

Suitable for all ladder truss sections. The Ladder Truss Adaptor ensures the truss is in the optimum position for maximum loading. Supplied with two slimline couplers.



T58700 - 150 - 250mm ctrs
T58701 - 200 - 400mm ctrs

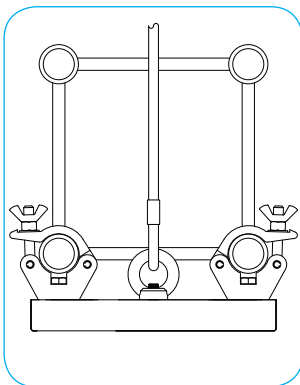
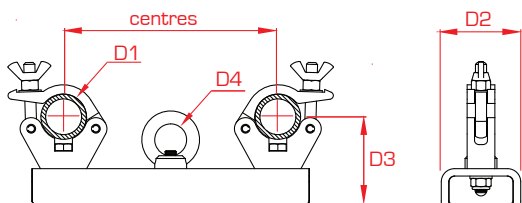




T57214 - 150 - 250mm ctrs
T57219 - 200 - 400mm ctrs

Hanging Truss Adaptor

SWL	200 Kg
D1	Ø48 - 51mm
D2	76mm
D3	91mm
D4	Ø30mm



HD Hanging Truss Adaptor

SWL	500 Kg
D1	Ø48 - 51mm
D2	76mm
D3	91mm
D4	Ø30mm



T55710 - 150 - 250mm ctrs
T55715 - 200 - 400mm ctrs

The Heavy Duty Hanging Truss Adaptor has been designed specifically to suspend triangular and square sections with loads up to 500 Kg. The suspension point is an M12 eye nut rated to 500 Kg.

