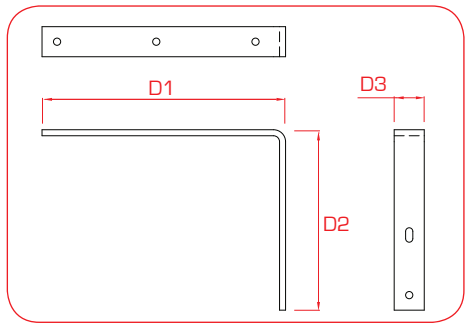


WALL BRACKETS

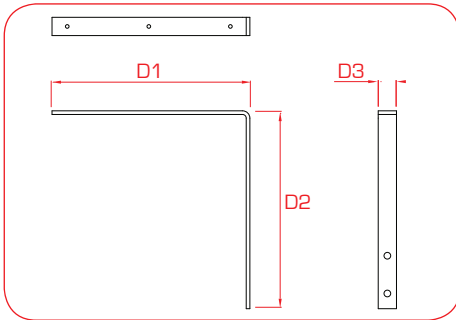
The Wall Bracket range is a comprehensive range of steel bracketry designed primarily to be wall mounted, allowing fixtures and tubes to be suspended from a vertical surface.





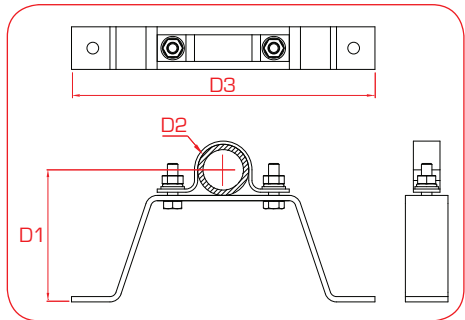
Heavy Duty Wall Bracket - (Accepts T30800 Saddle Clamp)

| | SWL | D1 | D2 | D3 | Kg |
|--------|-------|-------|-------|------|---------|
| T33900 | 20 Kg | 405mm | 300mm | 50mm | 2.60 Kg |



Light Duty Wall Bracket - (Accepts 48mm 'U' Bolt)

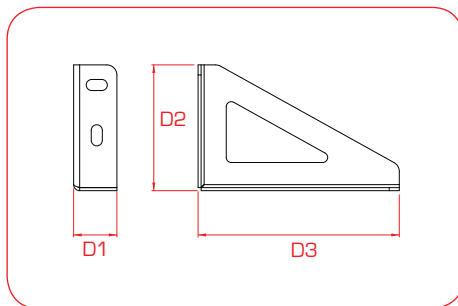
| | SWL | D1 | D2 | D3 | Kg |
|--------|------|-------|-------|------|---------|
| T33800 | 3 Kg | 325mm | 325mm | 30mm | 0.85 Kg |



Pipe to Wall Brackets

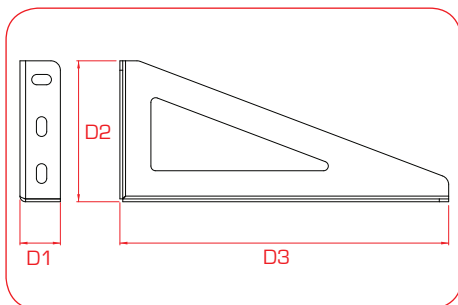
| | SWL | D1 | D2 | D3 | Kg |
|--------|-------|-------|-------|-------|---------|
| T33300 | 30 Kg | 325mm | Ø48mm | 400mm | 1.48 Kg |
| T33310 | 60 Kg | 125mm | Ø48mm | 285mm | 0.83 Kg |

The Slotted Wall Bracket has been designed to be compatible with the slots featured in unistrut channels



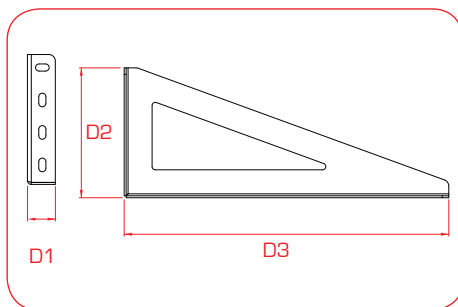
Slotted Wall Bracket 200mm

| | SWL | D1 | D2 | D3 | Kg |
|--------|-------|------|-------|-------|---------|
| T84105 | 25 Kg | 43mm | 125mm | 200mm | 0.52 Kg |



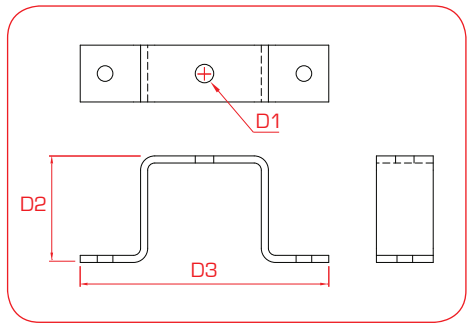
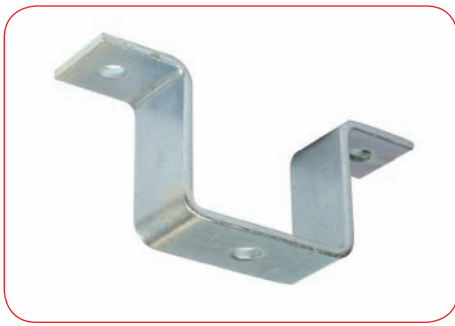
Slotted Wall Bracket 350mm

| | SWL | D1 | D2 | D3 | Kg |
|--------|-------|------|-------|-------|---------|
| T84106 | 25 Kg | 43mm | 150mm | 350mm | 0.90 Kg |



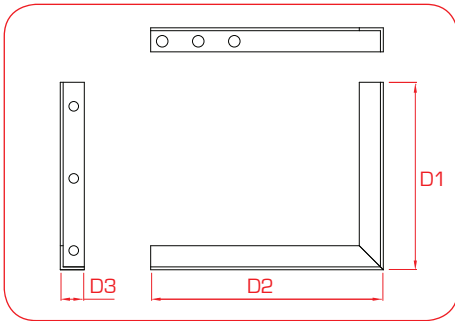
Slotted Wall Bracket 500mm

| | SWL | D1 | D2 | D3 | Kg |
|--------|-------|------|-------|-------|---------|
| T84107 | 25 Kg | 43mm | 200mm | 500mm | 1.50 Kg |



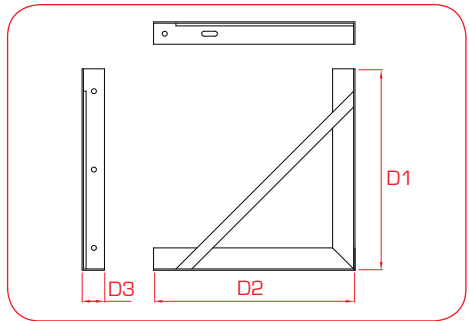
Ceiling Saddle

| | SWL | D1 | D2 | D3 | Kg |
|--------|--------|------|------|-------|---------|
| T33700 | 160 Kg | 13mm | 75mm | 175mm | 0.44 Kg |



Face Fixing Bracket

| | SWL | D1 | D2 | D3 | Kg |
|--------|-------|-------|-------|------|---------|
| T34100 | 15 Kg | 195mm | 242mm | 25mm | 0.43 Kg |



Angle Iron Bracket - (Accepts T30800 Saddle Clamp)

| | SWL | D1 | D2 | D3 | Kg |
|--------|-------|-------|-------|------|---------|
| T34000 | 30 Kg | 450mm | 450mm | 50mm | 2.72 Kg |