

# STAND ACCESSORIES

An extensive range of accessories to complement our large selection of lighting stands.



## Castor Kits

T50500 - 75mm Kit

T50502 - 75mm Kit

G2201 - 100mm Kit

G2200 - 100mm Kit

To suit the following stands:

Neutron

Nova

Comet

Cine Combo Stands

To suit the following stands:

Followspot

Nebula 20

Nebula 33

Nebula 42

Studio 2000

Studio 3500

Studio 5000

Combo Stands

## Parcan Stand Top

T54175

The Parcan Stand Top enables a parcan or similar luminaire fitted with a standard hookclamp to be used in a 29mm receiver.

This item should not be used as a suspension device.



Silver



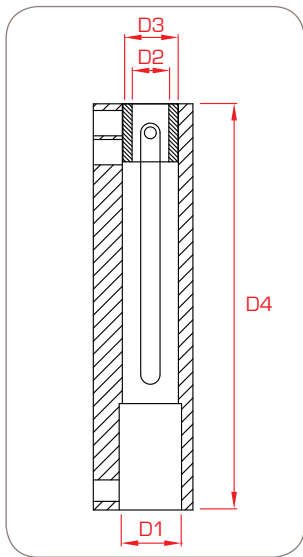
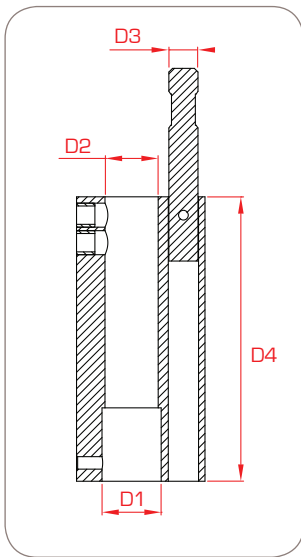
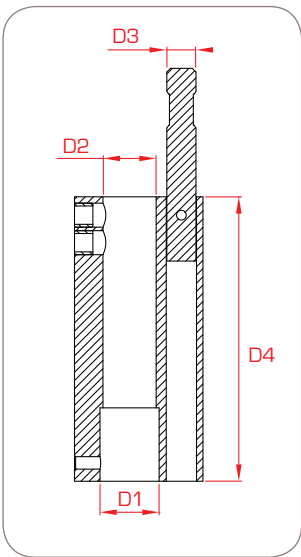
Black



Multi Head	
G2060	
SWL	N/A
D1	Ø32mm (Ø1.25")
D2	Ø29mm Receiver
D3	Ø16mm Spigot
D4	155mm
Kg	0.66 Kg

Multi Head	
G206001	
SWL	N/A
D1	Ø32mm (Ø1.25")
D2	Ø29mm Receiver
D3	Ø16mm Spigot
D4	155mm
Kg	0.66 Kg

Combi Top	
T52800	
SWL:	N/A
D1	Ø32mm (Ø1.25")
D2	Ø19mm Receiver
D3	Ø29mm Receiver
D4	210mm
Kg	0.68 Kg

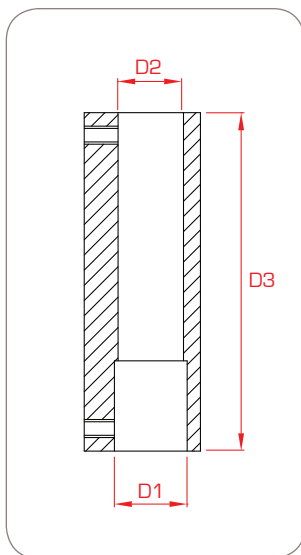
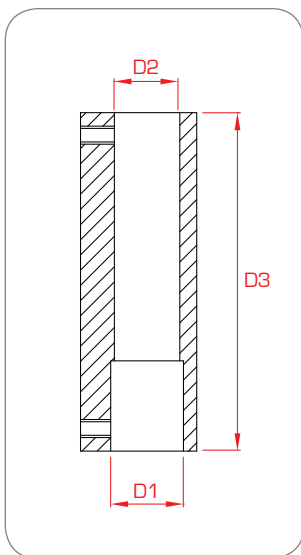
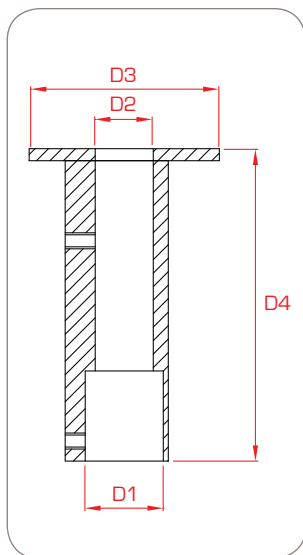




Followspot Top	
T52900	
SWL	N/A
D1	Ø32mm [Ø1.25"]
D2	Ø29mm Receiver
D3	Ø95mm
D4	156mm
Kg	0.49 Kg

TV Spigot Mounting	
T50600	
SWL	N/A
D1	Ø32mm [Ø1.25"]
D2	Ø29mm Receiver
D3	150mm
Kg	0.66 Kg

TV Spigot Mounting	
T50700	
SWL	N/A
D1	Ø38mm [Ø1.50"]
D2	Ø29mm Receiver
D3	150mm
Kg	0.66 Kg

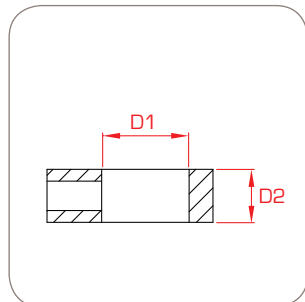
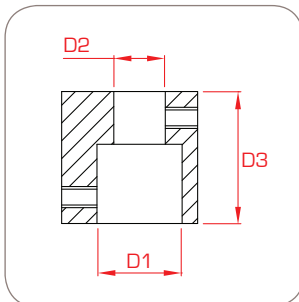
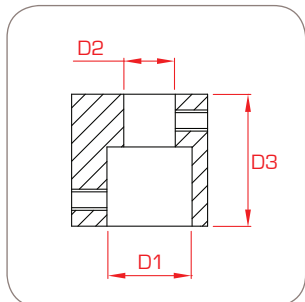




19mm Spigot Mounting	
T50900	
SWL	N/A
D1	Ø32mm (Ø1.25")
D2	Ø19mm Receiver
D3	50mm
Kg	0.24 Kg

19mm Spigot Mounting	
T50901	
SWL	N/A
D1	Ø32mm (Ø1.25")
D2	Ø19mm Receiver
D3	50mm
Kg	0.20 Kg

Safety Collar	
T53000	
D1	Ø32mm (Ø1.25")
D2	20mm
T53100	
D1	Ø38mm (Ø1.50")
D2	20mm

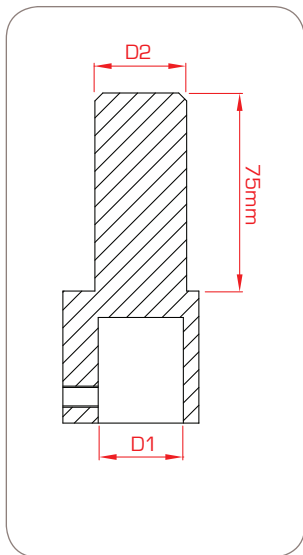
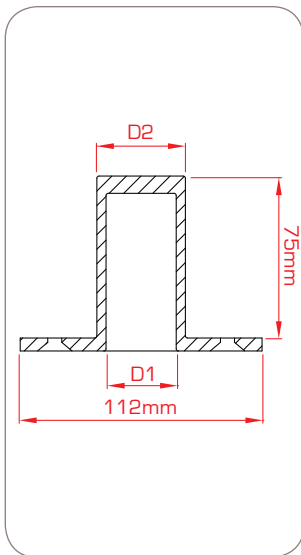
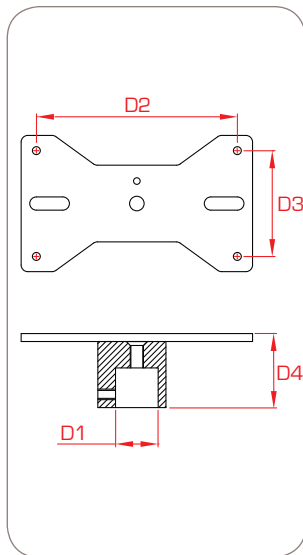




Ramsa / Bose Adaptor	
T52600	
SWL	N/A
D1	Ø32mm [Ø1.25"]
D2	152mm
D3	80mm
D4	56mm
Kg	0.49 Kg

Internal Speaker Adaptor	
T52200	
D1	Ø32mm [Ø1.25"]
D2	Ø41mm
T52201	
D1	Ø35mm
D2	Ø41mm

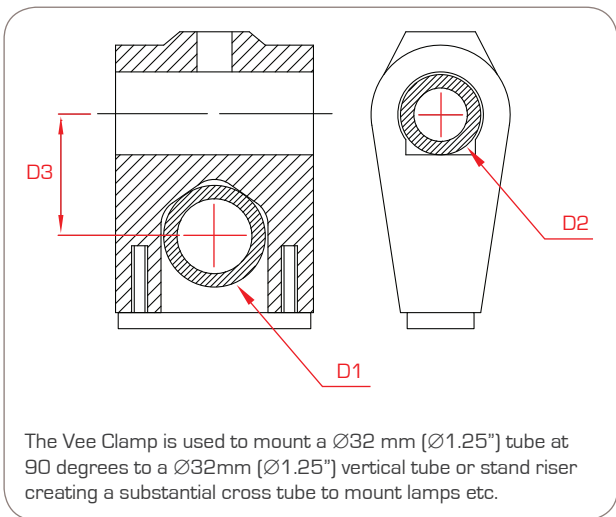
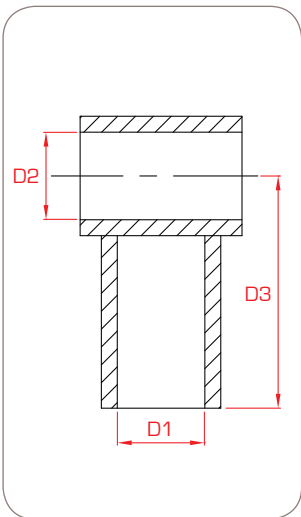
35mm Speaker Adaptor	
T51000	
D:	Ø32mm [Ø1.25"]
D2	Ø35mm
T51100	
D1	Ø38mm [Ø1.50"]
D2	Ø35mm

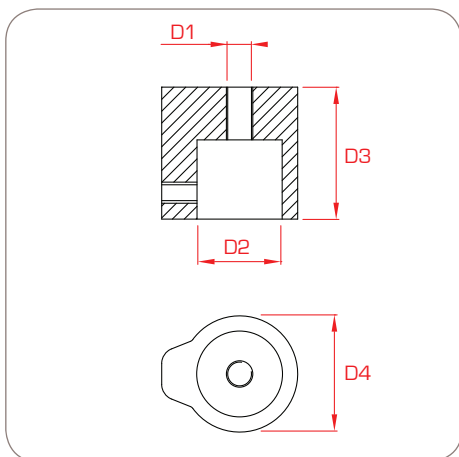




Tee Clamp	
T52400	
SWL	N/A
D1	Ø32mm (Ø1.25")
D2	Ø32mm (Ø1.25")
D3	65mm
Kg	0.29 Kg

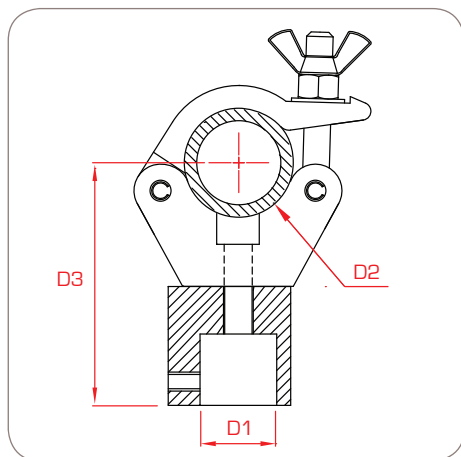
Vee Clamp	
G1350	
SWL	N/A
D1	Ø32 - Ø38mm (Ø1.25" - Ø1.50")
D2	Ø32mm (Ø1.25")
D3	45mm
Kg	0.78 Kg





## Tee Bar Mounting

Part No	D1	D2	D3	D4
T50810	M10	Ø32mm (Ø1.25")	50mm	44mm
T50811	M10	Ø38mm (Ø1.50")	50mm	44mm (Club 14/22)
T50812	M12	Ø32mm (Ø1.25")	50mm	44mm
T50813	M12	Ø32mm (Ø1.25")	50mm	44mm (Club 14/22)
T50814	M10	Ø35mm	50mm	44mm (35 mm)



## Stand Adaptor

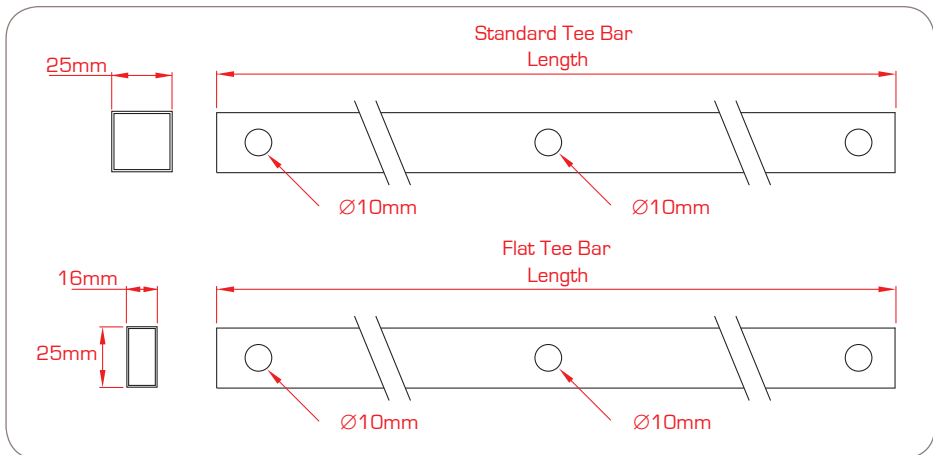
Part No	D1	D2	D3	Kg
T57220	Ø32mm (Ø1.25")	Ø48 - 51mm	105mm	0.88 Kg

The Stand Adaptor enables a Ø48 - 51mm to be mounted to a stand with a Ø32mm [1.25"] riser. Ideal for heavy duty tee bars where lamps are used with their own mounting clamps.



Tee Bars (supplied with lamp fixings)

Part No	Finish	Lamp Holes	Length	Kg
T43000 2 Lantern	Zinc Plated	2	750 mm	0.81 Kg
T43001 2 Lantern	Black Powder Paint	2	750 mm	0.80 Kg
T43003 2 Lantern (Flat)	Zinc Plated	2	750 mm	0.79 Kg
T43100 4 Lantern	Zinc Plated	4	1250 mm	1.38 Kg
T43101 4 Lantern	Black Powder Paint	4	1250 mm	1.41 Kg
T43103 4 Lantern (Flat)	Zinc Plated	4	1250 mm	1.36 Kg
T43200 6 Lantern	Zinc Plated	6	1600 mm	1.79 Kg
T43201 6 Lantern	Black Powder Paint	6	1600 mm	1.82 Kg
T43203 6 Lantern (Flat)	Zinc Plated	6	1600 mm	1.73 Kg





**4 Receiver Dobo Tee Bar**  
PJ43100

Length	1140mm
Receivers	Ø17mm
Kg	1.62 Kg

**8 Receiver Dobo Tee Bar**  
PJ43200

Length	1140mm
Receivers	Ø17mm
Kg	2.02 Kg

**Dobo Tee Bar Mounting**  
PJ50900

Kg	0.12 Kg
Used to mount a Dobo Tee Bar to a Ø32mm (1.25") stand tube.	



**Dobo Receiver**  
PJ43001



**16mm Spigot**

T73390	M10 Female
T73391	M6 Female
T73392	M12 Female