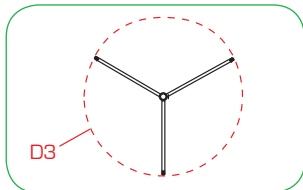
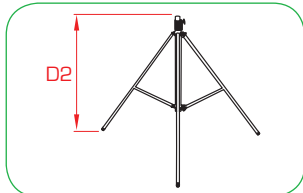
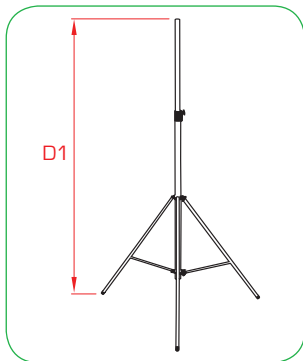




Ø32mm (Ø1.25")
Top Tube

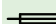
Studio = Chrome
Shadow = Black



- Chrome steel and aluminium construction
- Internal spring dampers
- Internal safety stops.
- Double leg braces
- Die cast aluminium 'lock off' knobs
- Locking castors (optional)


T51800 Studio-Comet

T51801 Shadow-Comet

Top Tube	Ø32mm (Ø1.25")
SWL	30 Kg
D1	2.14m
D2	1.34m
D3	1.15m
	1.16m
Kg	7.10 Kg

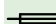
T51600 Studio-Neutron

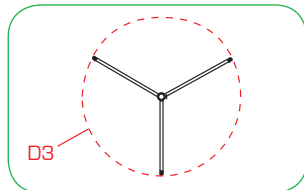
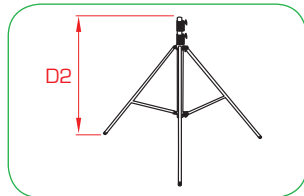
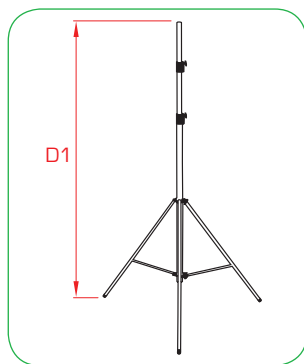
T51601 Shadow-Neutron

Top Tube	Ø32mm (Ø1.25")
SWL	30 Kg
D1	2.50m
D2	1.50m
D3	1.34m
	1.24m
Kg	7.74 Kg

T51200 Studio-Nova

T51201 Shadow-Nova

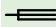
Top Tube	Ø32mm (Ø1.25")
SWL	30 Kg
D1	3.50m
D2	1.63m
D3	1.62m
	1.63m
Kg	8.88 Kg





- Chrome steel and aluminium construction
- Internal spring dampers
- Internal safety stops
- Double leg braces
- Die cast aluminium 'lock off' knobs
- Locking castors (optional)



Studio = Chrome
Shadow = Black

T51900	Studio 2000
T51901	Shadow 2000
Top Tube	Ø32mm (Ø1.25")
SWL	40 Kg
D1	2.00m
D2	1.00m
D3	1.06m
	1.11m
Kg	7.0 Kg

T52000	Studio 3500
T52001	Shadow 3500
Top Tube	Ø32mm (Ø1.25")
SWL	40 Kg
D1	3.50m
D2	1.32m
D3	1.47m
	1.31m
Kg	10.70 Kg

T52100	Studio 5000
T52101	Shadow 5000
Top Tube	Ø32mm (Ø1.25")
SWL	40 Kg
D1	5.00m
D2	1.72m
D3	1.75m
	1.72m
Kg	13.61 Kg