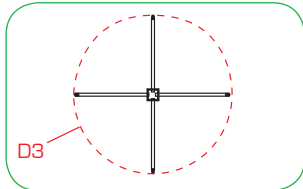
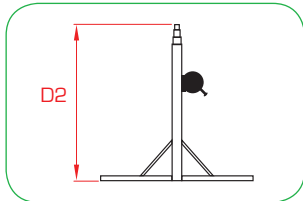
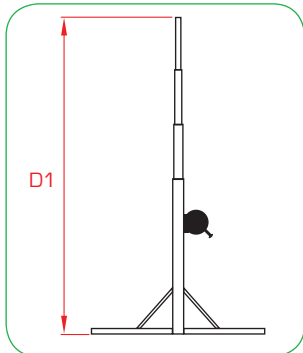




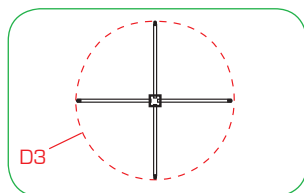
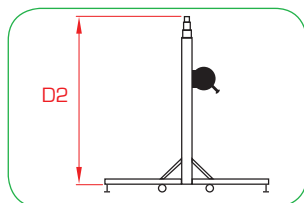
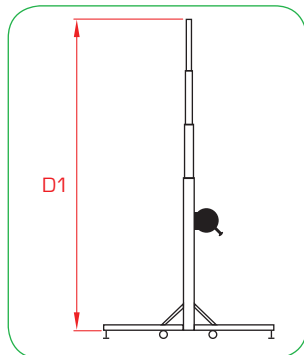
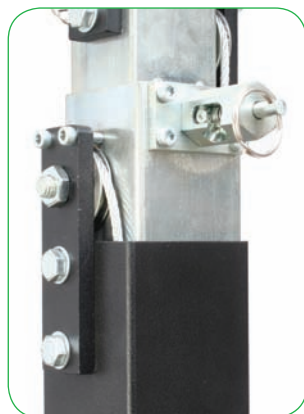
29mm Receiver fitted to all Strata stands



Strata - Turnbuckle Base

T55569	Strata 515T
SWL	150 Kg
D1	5.22m
D2	1.73m
D3	1.96m
	1.85m
Kg	47.0 Kg

- Four sections giving a low loading height
- A unique self locking system
- Single person operation
- Accepts standard 28mm spigots
- Powder paint finish



- Four sections giving a low loading height
- A unique self locking system
- Single person operation
- Accepts standard 28mm spigots
- Powder paint finish



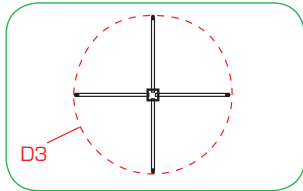
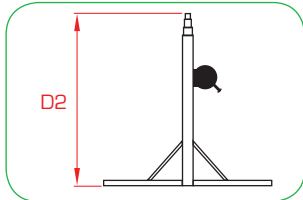
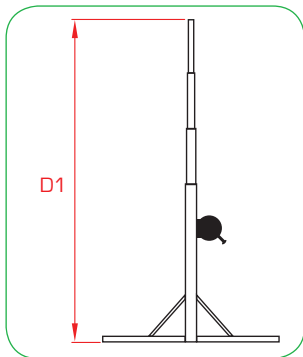
29mm Receiver fitted to all Strata stands

Strata - Roller Base

T55567	Strata 515R
SWL	150 Kg
D1	5.34m
D2	1.85m
D3	2.0m
	1.85m
Kg	52.5 Kg

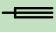
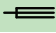


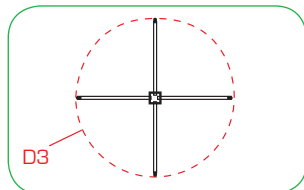
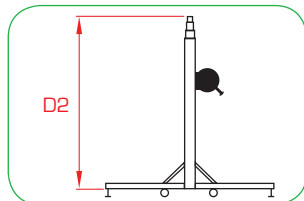
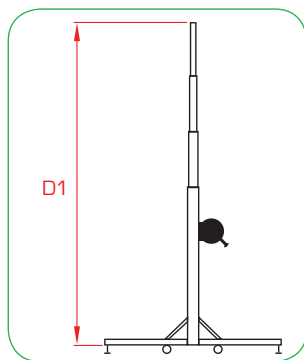
29mm Receiver fitted to all Zenith stands



- Four sections giving a low loading height
- A unique self locking system
- Single person operation
- Accepts standard 28mm spigots
- Powder paint finish

Zenith - Turnbuckle Base

T55582	Zenith 520T	T55592	Zenith 620T
SWL	200 Kg	SWL	60 Kg
D1	5.24m	D1	6.10m
D2	1.72m	D2	1.93m
D3	2.0m	D3	2.0m
	1.72m		1.93m
Kg	76.0 Kg	Kg	82.0 Kg



- Four sections giving a low loading height
- A unique self locking system
- Single person operation
- Accepts standard 28mm spigots
- Powder paint finish



29mm Receiver
fitted to all
Zenith stands

Zenith - Roller Base

T55580	Zenith 520R	T55590	Zenith 620R
SWL	200 Kg	SWL	60 Kg
D1	5.37m	D1	6.23m
D2	1.85m	D2	2.06m
D3	2.15m	D3	2.15m
	1.85m		2.06m
Kg	93.5 Kg	Kg	99.5 Kg