

STANDARD PULLEYS

The Doughty® Pulley system is of modular construction, allowing easy assembly of single or multiple sheave units from a limited range of standard components.

With the addition of various brackets and fixings, the basic pulleys will fulfill a variety of specialist needs.

Sheaves are of two basic types, for fibre or wire ropes.

The range of Standard Doughty® Pulleys has a safe working load of 150 Kg.





Single



Double



Triple



Quad



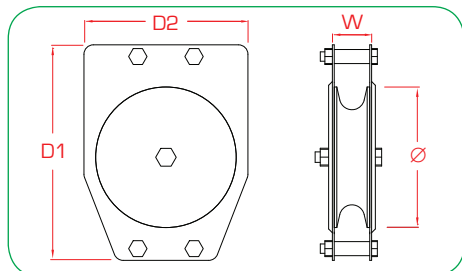
Quin

Ø100 = 16mm Rope
4mm Wire

Ø150 = 18mm Rope
6mm Wire

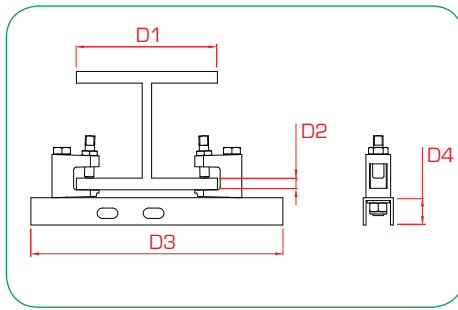
Ø180 = 18mm Rope
6mm Wire

Ø100mm		Ø150mm		Ø180mm		W
Rope		Rope		Rope		
T42800	Single	T42820	Single	T42830	Single	22mm
T42801	Double	T42821	Double	T42831	Double	53mm
T42812	Triple	T42822	Triple	T42832	Triple	85mm
T42813	Quad	T42823	Quad	T42833	Quad	116mm
T42814	Quin	T42824	Quin	T42834	Quin	148mm
Wire		Wire		Wire		W
T42836	Single	T42846	Single	T42855	Single	22mm
T42837	Double	T42847	Double	T42856	Double	53mm
T42838	Triple	T42848	Triple	T42857	Triple	85mm
T42839	Quad	T42849	Quad	T42858	Quad	116mm
T42840	Quin	T42850	Quin	T42859	Quin	148mm



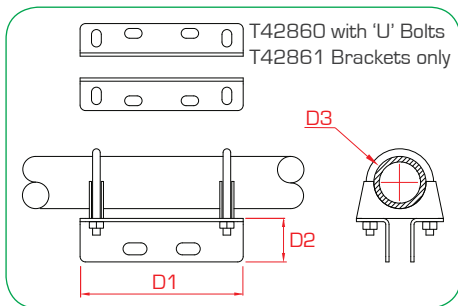
Ø	100mm	150mm	180mm
D1	178mm	230mm	278mm
D2	125mm	175mm	200mm
SWL	150Kg	150 Kg	150 Kg





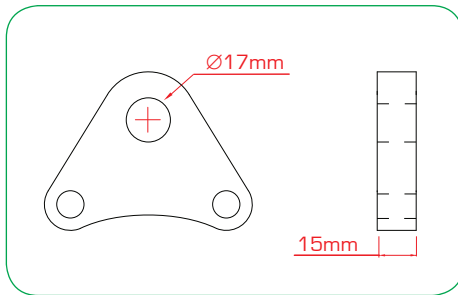
Girder Brackets

	D1	D2	D3	D4
T42870	75 - 150mm	< 20mm	270mm	25mm
T42872	150 - 300mm	< 20mm	450mm	25mm
SWL	150 Kg			



Multifix Brackets

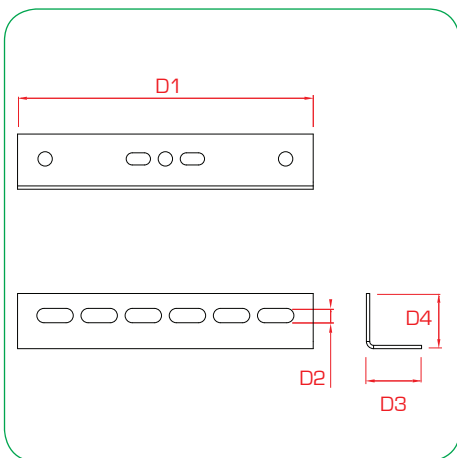
	D1	D2	D3
T42860 (With 'U' Bolts)	150mm	50mm	Ø 48 - 51mm
T42861 (Without 'U' Bolts)	150mm	50mm	Ø 48 - 51mm
SWL	150 Kg		



Awning Profiles

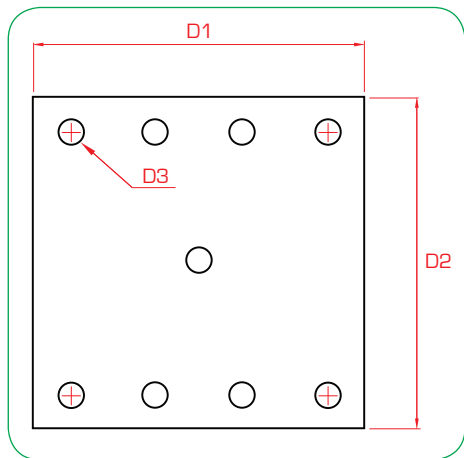
Designed to be used with an M12 Shackle.

T42865	SWL 150 Kg
--------	------------



Multibeam Brackets

	SWL	D1	D2	D3	D4
T42885	150Kg	270mm	13mm	50mm	50mm
T42886	150Kg	450mm	13mm	50mm	50mm



Wall Plates

	SWL	D1	D2	D3
T42897 for 100mm Pulleys	150Kg	185mm	178mm	10mm
T42898 for 150mm Pulleys	150Kg	235mm	230mm	10mm
T42899 for 180mm Pulleys	150Kg	275mm	260mm	10mm

HEAVY DUTY PULLEYS

The Doughty® Heavy Duty Pulleys are constructed from nylon sheaves together with ball raced bearings for smooth friction free operation. Side plates are constructed from 5mm thick steel giving an extremely strong construction. Heavy Duty Pulleys are available with 100mm, 150mm and 200mm sheaves with SWL's of 200, 400 and 600 Kg's respectively. Pulleys are available for both fibre and wire ropes together with a range of bracketry to suit.





Single



Double



Triple



Quad



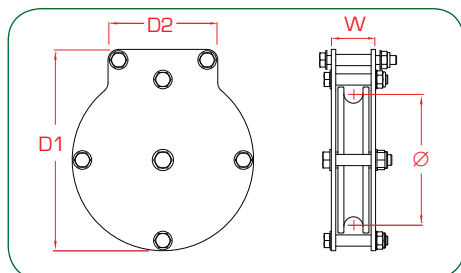
Quin

Ø100 = 16mm Rope
4mm Wire

Ø150 = 18mm Rope
6mm Wire

Ø200 = 18mm Rope
6mm Wire

HD Ø100mm		HD Ø150mm		HD Ø200mm		
Rope		Rope		Rope		W
T42931	Single	T42941	Single	T42951	Single	50mm
T42932	Double	T42942	Double	T42952	Double	75mm
T42933	Triple	T42943	Triple	T42953	Triple	100mm
T42934	Quad	T42944	Quad	T42954	Quad	130mm
T42935	Quin	T42945	Quin	T42955	Quin	160mm
Wire		Wire		Wire		W
T42901	Single	T42911	Single	T42921	Single	50mm
T42902	Double	T42912	Double	T42922	Double	75mm
T42903	Triple	T42913	Triple	T42923	Triple	100mm
T42904	Quad	T42914	Quad	T42924	Quad	130mm
T42905	Quin	T42915	Quin	T42925	Quin	160mm



Ø	100 mm	150 mm	200 mm
D1	178mm	228mm	278mm
D2	124mm	124mm	174mm
SWL	200 Kg	400 Kg	600 Kg

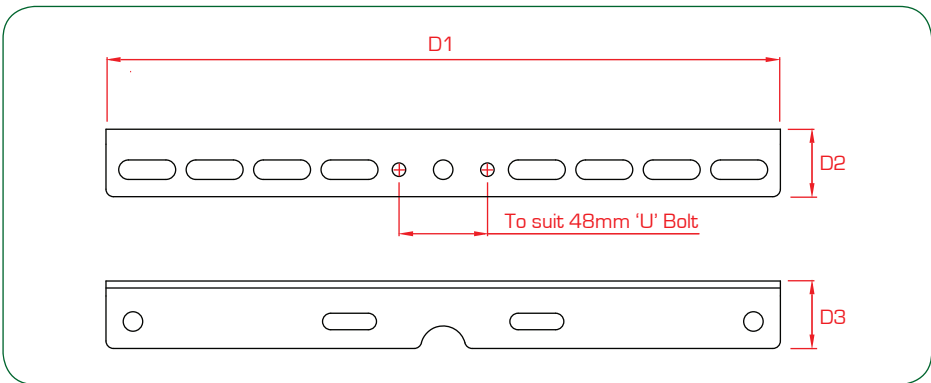




Heavy Duty - Multibeam Brackets

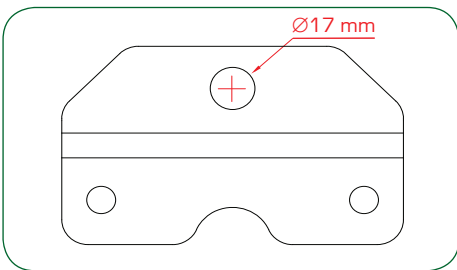
	SWL	D1	D2	D3
T42990	150 Kg	225mm	45mm	45mm
T42995	150 Kg	450mm	45mm	45mm

A pair of slotted angle brackets which can be used for wall or ceiling applications. The holes are specifically spaced for the use of 48mm 'U' Bolts (T56600).



Heavy Duty - Awning Brackets

100 & 150mm			200mm	
T42984	100 & 150mm	Single Sheave	T42987	200mm Single Sheave
T42985	100 & 150mm	Double Sheave	T42988	200mm Double Sheave
T42986	100 & 150mm	Triple Sheave	T42989	200mm Triple Sheave
SWL	400 Kg		SWL	600 Kg



Designed to be used with an M12 Shackle.





Heavy Duty - Universal Mounting Plates

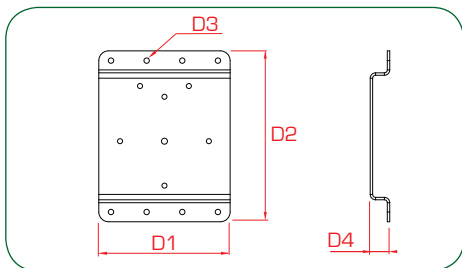
T42979	fits Single Pulley	SWL 150 Kg
T42980	fits Double Pulley	SWL 150 Kg
T42981	fits Triple Pulley	SWL 150 Kg
T42982	fits Quad Pulley	SWL 150 Kg
T42983	fits Quin Pulley	SWL 150 Kg

Universal mounting plates enable pulleys to be mounted to tubes with a pair of 'U' bolts. These plates are supplied with a pair of multifix brackets and 'U' bolts.



Heavy Duty - Wall Plates

	Pulley Size	D1	D2	D3	D4
T42997	100mm	219mm	300mm	11mm	40mm
T42998	150mm	269mm	350mm	11mm	40mm
T42999	200mm	319mm	400mm	11mm	40mm



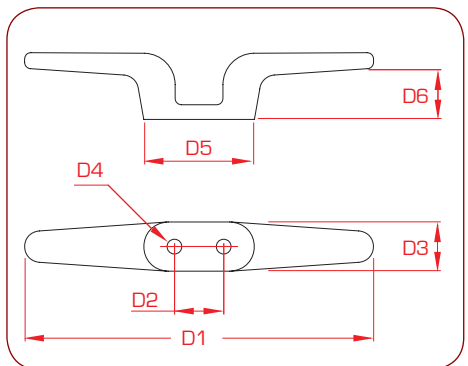
Wall plates are available in three sizes, 100mm, 150mm and 200mm. These plates convert an existing pulley into a wall mounted pulley.

CLEWS & CLEATS

A range of Clews fitted with swivel shackles. Suitable for use with our standard and heavy duty range of pulleys to combine the multiple hanging lines from a flown bar into a single winch line when using drum winches – suitable for wire rope up to 6mm.



Swivel Clews		
T41000	3 Way	SWL 250 Kg
T41100	4 Way	SWL 250 Kg
T41200	5 Way	SWL 250 Kg
T41300	3 Way	SWL 500 Kg
T41400	4 Way	SWL 500 Kg
T41500	5 Way	SWL 500 Kg
T41600	3 Way	SWL 1000 Kg
T41700	4 Way	SWL1000 Kg
T41800	5 Way	SWL1000 Kg
Supplied with a Swivel Shackle and Thimbles		



Flyrail Cleats						
	D1	D2	D3	D4	D5	D6
T41900	440mm	60mm	47mm	12mm	135mm	70mm
T41902	375mm	48mm	40mm	12mm	115mm	40mm
T41904	285mm	40mm	40mm	12mm	90mm	40mm

ROPE & WIRE

Galvanised and black wire rope for use in flying and static suspension systems constructed as 6x19 elements (7x7 for 2mm) available from 2 to 8mm, suitable for use with our range of gate eyes, barrel strainers, cable grips and thimbles.

Available as 100 metre drums.

Pre-stretched black nylon cord.

Suitable for use in sixtrack systems, pulleys and general lashing.

A matt finish improves grip and holds knots well.

Available per metre.

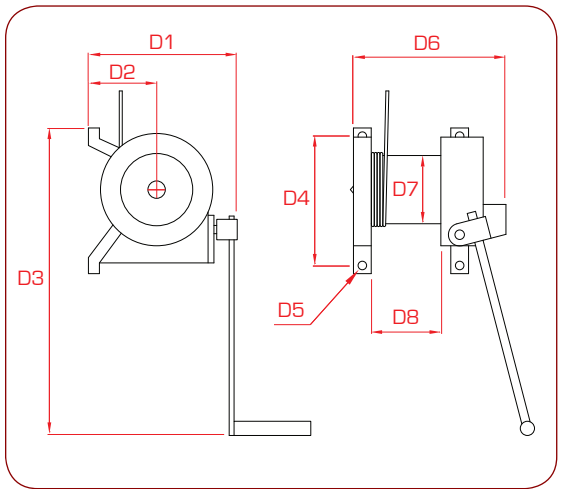


Wire Rope - 100m Reels

	T40100	T40300
Finish	Galvanised	Galvanised
Ø	4mm	6mm
SWL	178 Kg	400 Kg
	T401001	T403001
Finish	Black	Black
Ø	4mm	6mm
SWL	178 Kg	400 Kg

Rope

	T63780	T42900
Finish	Black Matt	Black Matt
Ø	8mm	16mm
Breaking Load	2000 Kg	5100 Kg



Worm Gear Winches

	T41850	T41860	T41870
SWL (First Layer)	250 Kg	500 Kg	750 Kg
SWL (Last Layer)	210 Kg	425 Kg	624 Kg
Layers	2	3	4
Wire Rope diameter	Ø 5mm	Ø 6mm	Ø 8mm
Rope Capacity (First Layer)	4.8m	7.9m	9.2m
Rope Capacity Total	11.3m	29.1m	49m
Ratio:	16:1	16:1	25:1
Lift per Turn	20mm	26mm	20mm
Required Effort	9.2 Kg	14.5 Kg	16 Kg
Duty Class to DIN 15020	1Bm	1Bm	1Bm
Kg	12.5 Kg	21 Kg	42 Kg

Dimensions

	T41850	T41860	T41870
D1	205mm	241mm	335mm
D2	137mm	190mm	243mm
D3	500mm	690mm	770mm
D4	205mm	250mm	330mm
D5	12mm	14mm	20mm
D6	219mm	282mm	350mm
D7	96mm	125mm	150mm
D8	94mm	138mm	182mm

LEVER ROPE BRAKE

A heavy duty rope brake, made from steel with machined aluminium friction plates shaped to protect the rope and with a sprung loaded handle to ensure free running of counter weight flying lines. The friction plates are adjustable to allow for differences in rope diameter.



T67300	
D1	226mm
D2	121mm
D3	117mm
D4	To Suit \varnothing 22mm Rope
Kg	0.76 Kg

