

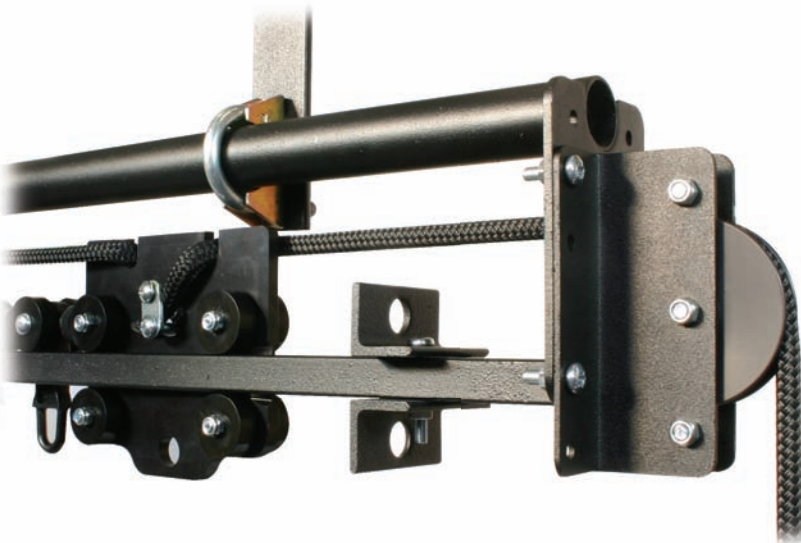
# SIX TRACK

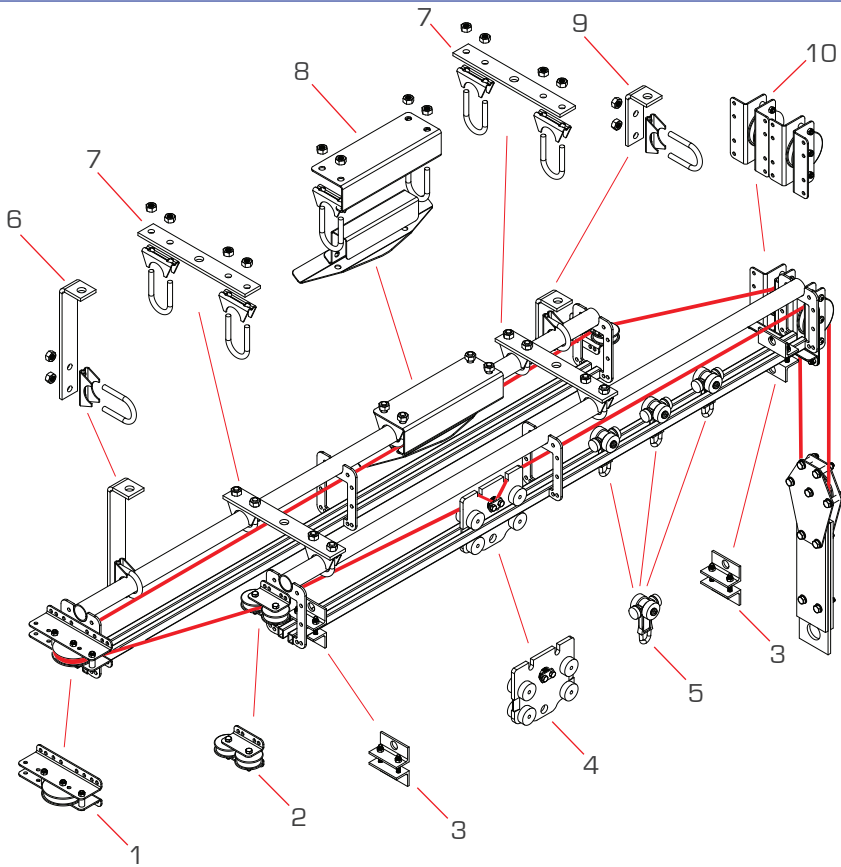
Six track is a modular curtain track system suitable for a wide range of stage and studio applications.

The information in this brochure is for standard products to suit most typical applications. We also offer curved tracks and special systems built to your requirements. Please contact our technical team for further details.

Main features:

- Strong steel fabrication using a tubular top hanging bar and rectangular section tube rails.
- Straight lengths up to 3 metres
- Curves from 500mm radius
- Single swipe or overlap curtains
- Ball raced runners with 6 Kg SWL
- Walkalong, handline, hand winch or electric options
- Finished in black powder paint





- 1 - T63775 Return Pulley
- 2 - T63778 Double Guide Pulley
- 3 - T63760 End Stop
- 4 - T63755 Master Runner
- 5 - T62756 Ball Raced Runner

- 6 - T63750 Adjustable Support Bracket
- 7 - T63752 Overlap Bracket
- 8 - T63770 Line Support
- 9 - T63751 Short Support Bracket
- 10 - T63776 Twin Return Pulley

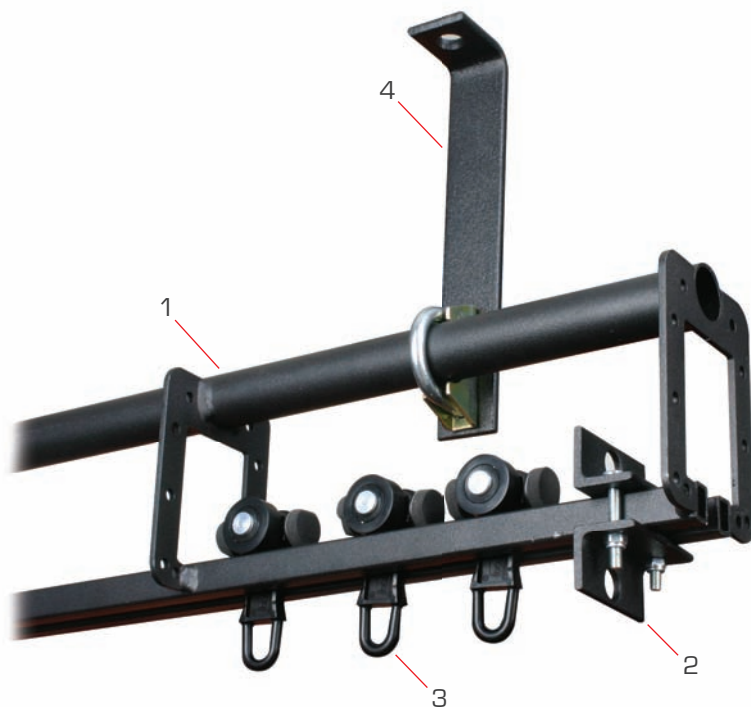
#### Recommendations:

1. Maximum length for an overlap track is 18 metres
2. Maximum length for a single track is 10 metres
3. Maximum span between supports (cloth open) 2.25 metres
4. Maximum span between supports (cloth bunched) 1.60 metres
5. Maximum runner spacing 300mm
6. Maximum load per runner 6 Kg
7. Line guides should be fitted at 2.5 metre intervals on straight sections
8. Six track has been designed for use with 8mm pre-stretched polyester cord

# Walkalong Track Kits

Walkalong track kits include all the components required to install your chosen track length. A typical kit comprises of track, end stops, ball raced runners, adjustable support brackets and a nut and bolt set.

Note: Other support brackets and fasteners may be required depending on individual installation methods.



- 1 - Straight track
- 2 - T63760 End stops [2 pairs per kit]
- 3 - T63756 Ball raced runners [1 per 300mm of track]
- 4 - T63750 Adjustable support brackets [1 per 1500mm of track]

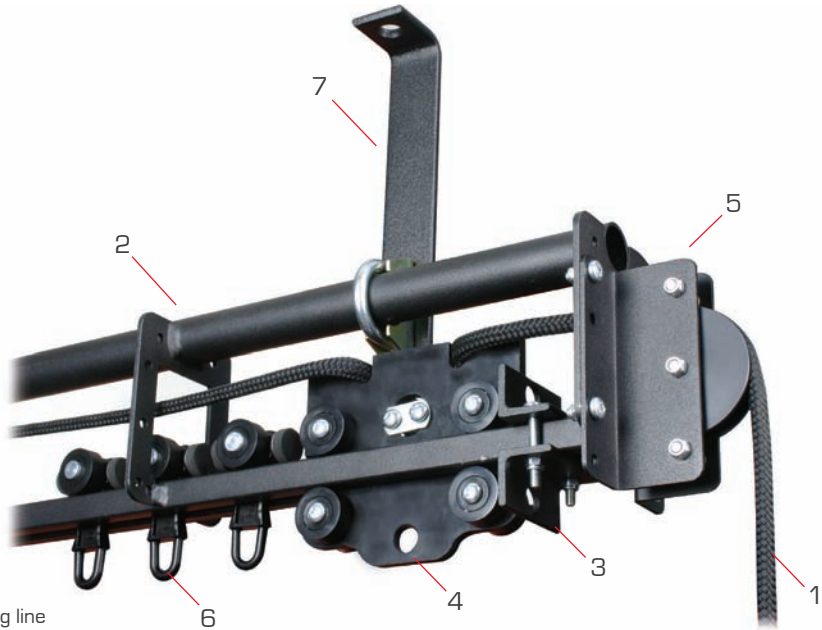
## Walkalong Kits

T63941	4.0M	T63945	8.0M	T63949	12.0M
T63942	5.0M	T63946	9.0M	T63950	13.0M
T63943	6.0M	T63947	10.0M	T63951	14.0M
T63944	7.0M	T63948	11.0M	T63952	15.0M

# Line Operated Track Kits

Line operated track kits include all the components required to install your chosen track length. A typical kit comprises of track, adjustable support brackets, a nut and bolt set, master runner, pulleys, hauling line, line supports and a weighted hand pulley.

Note: Other support brackets and fasteners may be required depending on individual installation methods.



- 1 - Hauling line
- 2 - Straight track
- 3 - T63760 End stops (2 pairs per kit)
- 4 - T63755 Master runner (1 per Kit)
- 5 - Pulleys (1 return pulley & 1 twin head pulley)
- 6 - T63756 Ball raced runners (1 per 300mm of track)
- 7 - T63750 Adjustable support brackets (1 per 1500mm of track)
- 8 - Line support and weighted hand pulley (not shown)

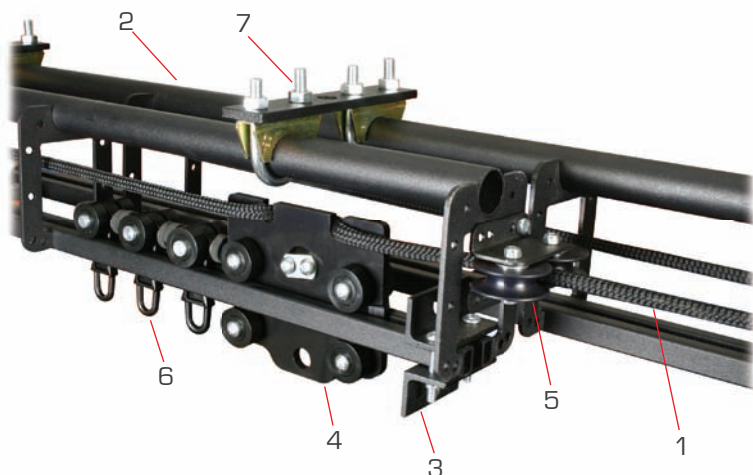
## Line Operated Single Track Kits

T63908	4.0M	T63912	8.0M	T63916	12.0M
T63909	5.0M	T63913	9.0M	T63917	13.0M
T63910	6.0M	T63914	10.0M	T63918	14.0M
T63911	7.0M	T63915	11.0M	T63919	15.0M

# Line Operated Track Kits with Overlap

Line operated track kits with overlap include all the components required to install your chosen track length. A typical kit comprises of track, end stops, ball raced runners, adjustable support brackets, a nut and bolt set, master runners, pulleys, hauling line, line supports, overlap brackets, overlap pulleys and a weighted hand pulley.

Note: Other support brackets and fasteners may be required depending on individual installation methods.

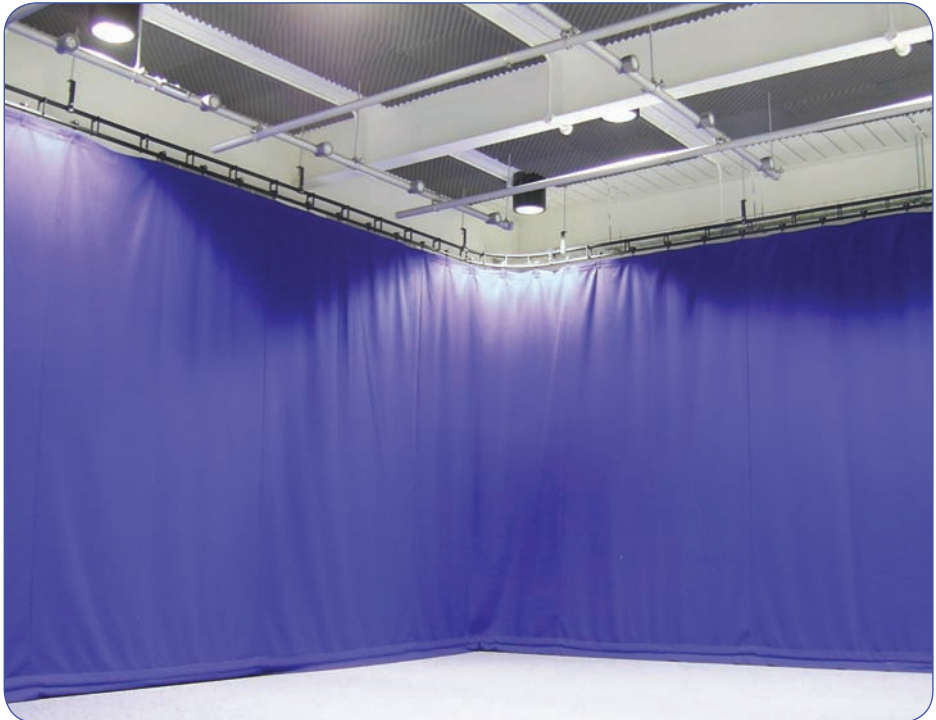
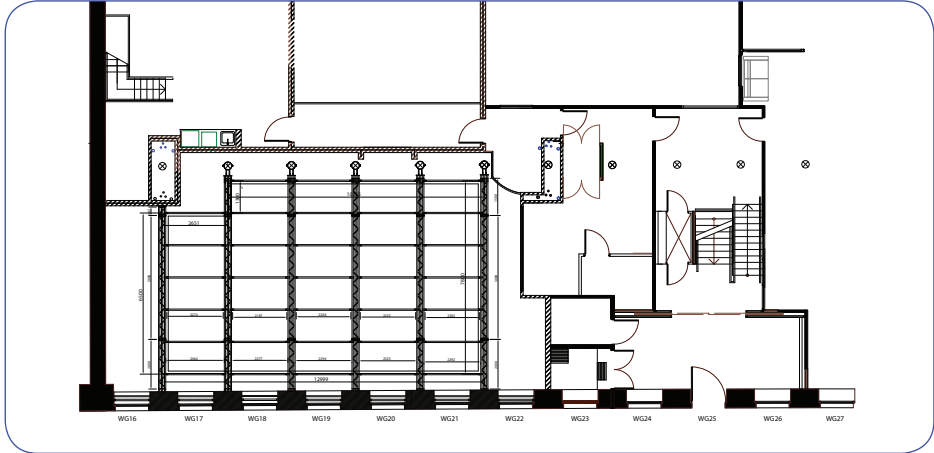


- 1 - Hauling line
- 2 - Straight track
- 3 - T63760 End stops (2 pairs per kit)
- 4 - T63755 Master runner (2 per kit)
- 5 - Pulleys (2 guide pulleys, 1 return pulley & 1 twin head pulley)
- 6 - T63756 Ball raced runners (1 per 300mm of Track)
- 7 - T63752 Overlap brackets (2 per Kit)
- 8 - Line supports, weighted hand pulley and adjustable support brackets (not shown)

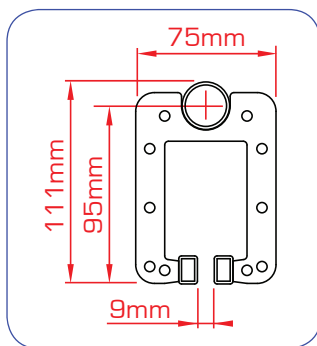
T63920	4.0M	T63924	8.0M	T63928	12.0M
T63921	5.0M	T63925	9.0M	T63929	13.0M
T63922	6.0M	T63926	10.0M	T63930	14.0M
T63923	7.0M	T63927	11.0M	T63931	15.0M

# Bespoke Kits

Doughty® Engineering Ltd offer a bespoke six track kit service. Simply submit your building plans or architect's drawings and our technical sales team will create a quote and parts list to suit your installation.

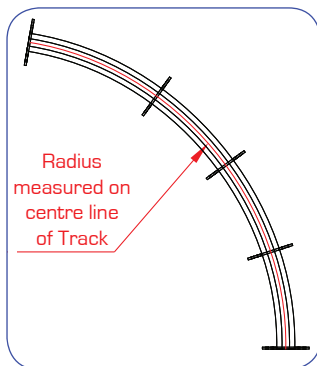


# Track Sections



## Straight Track

T63705	Six Track Straight - 0.25 metre	0.63 Kg
T63706	Six Track Straight - 0.50 metre	1.19 Kg
T63707	Six Track Straight - 0.75 metre	3.63 Kg
T63708	Six Track Straight - 1.00 metre	2.24 Kg
T63710	Six Track Straight - 2.00 metre	4.47 Kg
T63715	Six Track Straight - 3.00 metre	6.71 Kg

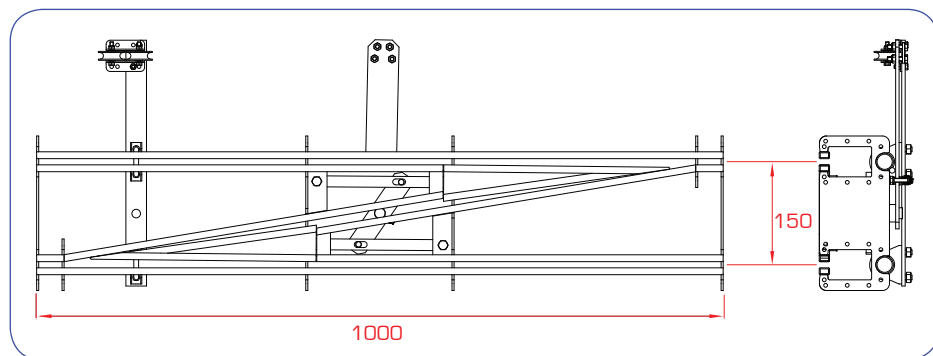


## Curved Track

90 Degrees			45 Degrees		
T63730	0.50 metre x 90°	1.96 Kg	T63735	0.50 metre x 45°	1.00 Kg
T63733	0.60 metre x 90°	2.17 Kg	T63736	0.75 metre x 45°	1.40 Kg
T63731	0.75 metre x 90°	2.73 Kg	T63737	1.00 metre x 45°	1.82 Kg
T63734	0.90 metre x 90°	3.50 Kg	Notes: 2.0 metre curves are supplied as 2 sections		
T63732	1.00 metre x 90°	3.62 Kg	3.0 metre curves are supplied as 3 sections.		
T63738	2.00 metre x 90°	7.20 Kg	Special straight sections and radius curves can be		
T63739	3.00 metre x 90°	10.8 Kg	made to order, contact our technical sales team.		

# Points System

A switch point system to allow a drape to be moved from one track to another parallel track without removal, useful if a storage area for curtains is required or if multiple cloths are required on one section of tracking. Operated from a rope at ground level, can be retro fitted to existing 6 Track Systems. Suitable only for hand line systems.

**T63725****8.50 Kg**



Bolt on End Plate

T63765 Bolt on End Plate

With the bolt on end plate, standard length track may be cut to any length and the end replaced on site. There is no need for any on site welding. Two M5 holes will need to be drilled.



Adaptor Plate

T63766 Adaptor Plate

The adaptor plate uses three expanding plugs to terminate a standard piece of track which has been cut to a special length. This plate allows runners to pass through it allowing it to be used mid track.



End Stop - Curtain Anchor

T63760 End Stop - Curtain Anchor

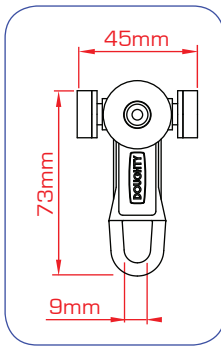
Sixtrack end stops are used to stop the master runner at the end of a track run, they are also used to anchor the curtain at the start of a track.



Line Support

T63770 Line Support Bracket

The Line Support Bracket eliminates any sag in long hauling lines.

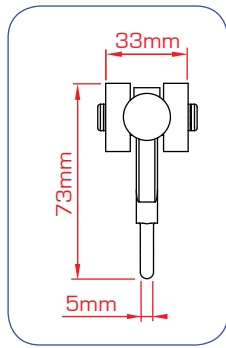


Ball Raced Runner

T63756

SWL 6.0 Kg

Recommended runner spacing 300mm.

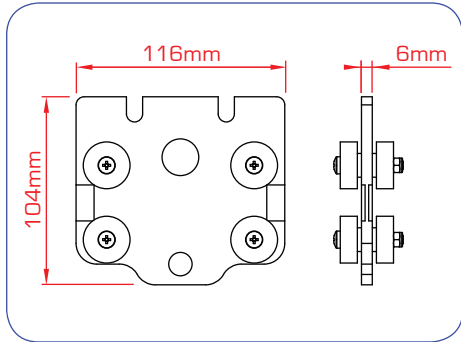


Plain Runner (without bearings)

T63757

SWL 6.0 Kg

Recommended runner spacing 300mm.

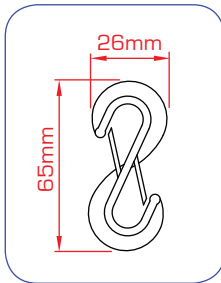


Master Runner (ball raced)

T63755

SWL 6.0 Kg

Master runners are used to lead the curtain, the hauling line ends are also joined on the master runner.



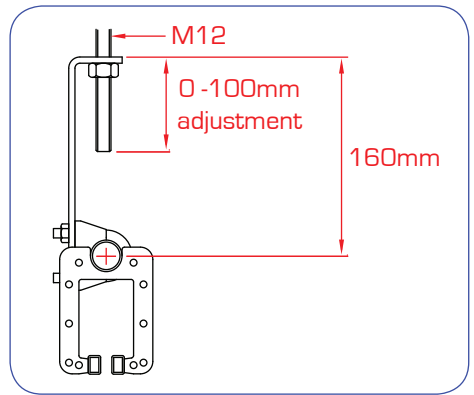
Nylon Twin Hook

T63796

SWL 6.0 Kg

Twin hooks are used to connect curtains to six track runners.

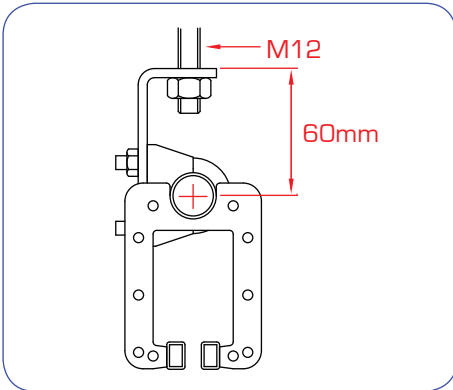




### Adjustable Support Bracket

T63750 Adjustable support bracket

Six track is generally suspended from its top rail using adjustable support brackets on M12 Studding, allowing up to 100mm of adjustment. In confined spaces short support brackets can be used.



### Short Support Bracket

T63751 Short support bracket

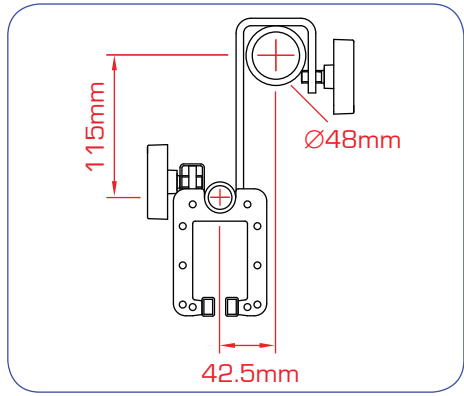
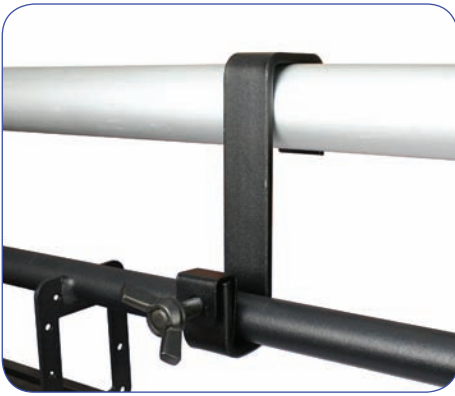
Short support brackets are ideally used where space is limited.



### Top Rail Clamp

T63749 Top rail clamp [29mm 'U' bolt]

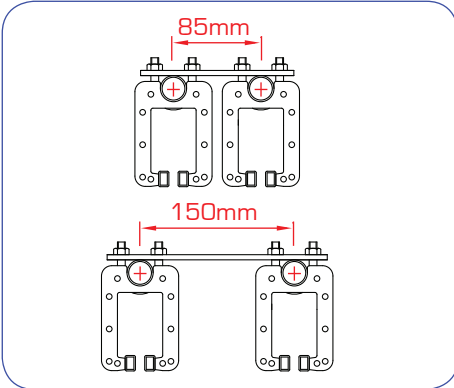
The top rail clamp is sold separately for when custom bracketry is required for special installations where standard brackets cannot be used.



### Barrel Bracket

T63753 Barrel Bracket

Barrel Brackets are used to suspend overlap curtain tracks from a 48mm barrel, truss section or lighting bar.



### Overlap & Parallel Brackets

T63752 Overlap bracket - 85mm centres

T63754 Parallel bracket - 150mm centres

Overlap brackets are used to space two tracks apart to create an overlap whilst parallel brackets are used to space twin perimeter tracks.



### Swing Arm Boom

T63785 Swing Arm Boom

SWL 100 Kg

The Swing Arm Boom has been specifically designed to allow single tracks to be mounted to scaffold tubes and lighting bars.

Tube centres are 61mm.



Return Pulley

T63775 Return Pulley

The Sixtrack Return Pulley is used to return the hauling line around the end of a track run.



Twin Head Pulley

T63776 Twin Head Pulley

The Twin Head Pulley diverts the hauling line from horizontal to vertical to enable a drive unit or weighted pulley to be used.



Single Guide Pulley

T63777 Single Guide Pulley

The Single Guide Pulley ensures a smooth trouble free operation when used with line operated curves etc.



Double Guide Pulley

T63778 Double Guide Pulley

The Double Guide Pulley is used to divert the hauling line from one track to another in an overlap system.



### Weighted Handline Pulley

T63820 Weighted Handline Pulley

Weighted Handline Pulleys are designed to maintain tension on manual hauling lines.



### Floor Fixed Handline Pulley

T63825 Floor Fixed Handline Pulley

The Floor Fixed Handline Pulleys is designed to maintain tension on manual hauling lines.

This pulley enables the tension to be adjusted.



### Sprung Handline Pulley

T63830 Sprung Handline Pulley

The Sprung Handline Pulley is floor fixed and maintains a constant tension on manual hauling lines.



### Hauling Line

T63780 Hauling Line

200m

8mm black pre-stretched polyester



### Fixings

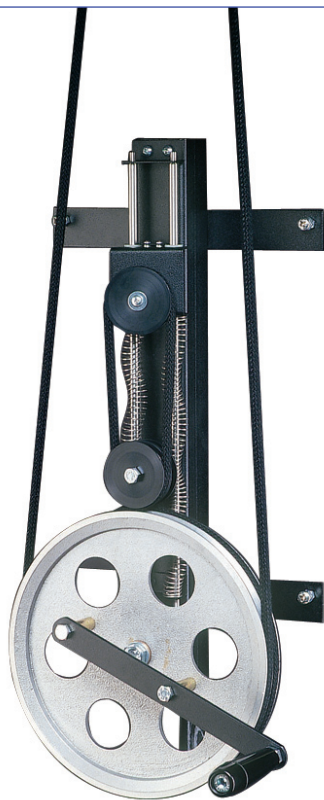
T63795 Sixtrack fixings

100 no

# Manual Track Drives



Floor Mounted



Wall Mounted

## Manual Track Drives

T63840	Wall mounted
T63841	Floor Mounted

Designed for hauling curtains to a maximum of 15 metres (not for lifting). The Manual Track Drive units are fitted as part of the continuous loop hauling line.

They incorporate a hauling line tensioning system, and can be either wall or floor mounted.

# Electric Track Drives



Designed for hauling curtains to a maximum of 25 metres (not for lifting). The Electric Track Drive Unit is fitted as part of the continuous loop hauling line. The system includes a hauling line tensioning system and a track mounted motorised capstan. The track drives are available as 1 phase complete with a wall mounted variable speed control unit or 3 phase fixed speed with wall mounted control unit. The control unit includes an emergency stop and is supplied with two limit switches for track mounting. The kit comes with 10 metres of electrical cable and 50 metres of 24 volt control cable for the limit switches. An optional open/close remote control unit is also available.

## Electric Track Drives

T63845	1 Phase Track Mounted Drive
T6384503	3 Phase Track Mounted Drive
T63846	1 Phase Floor Mounted Drive
T6384603	3 Phase Floor Mounted Drive
T63850	Optional Remote Control