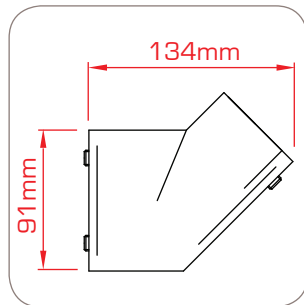
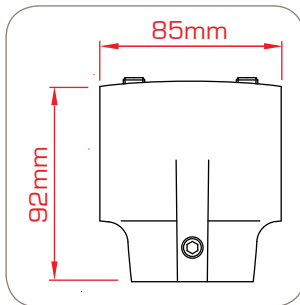
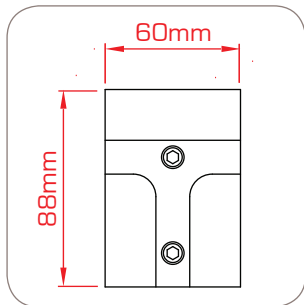
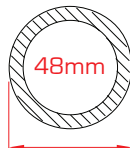


SPEEDRAIL®

Speedrail® is a range of Magnesium Alloy pipe fittings which are used to create handrails, guards and walkways etc.

Main features:

- High corrosion resistance
- Up to 70% lighter than iron fittings
- 100% salvageable & reusable
- Comparable strength to iron fittings
- All fittings shown here are to suit 48mm tube. Other sizes are available, please contact our technical sales team



Short Tee (S)

Long Tee

Angle Tee 45°

T194005E

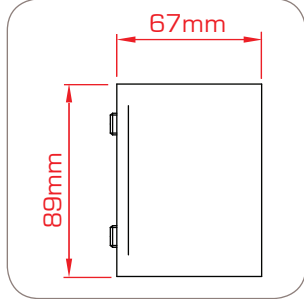
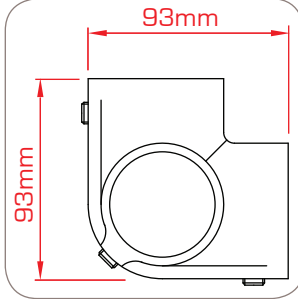
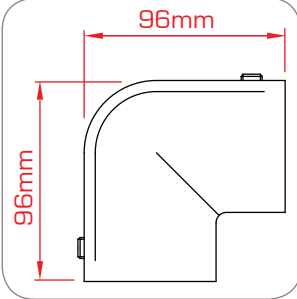
0.18 Kg

T194005

0.29 Kg

T194006

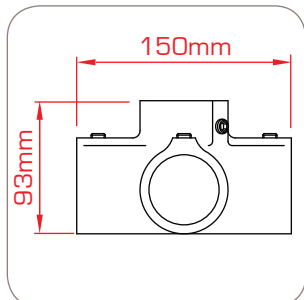
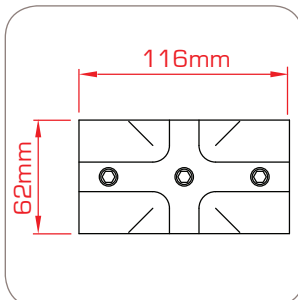
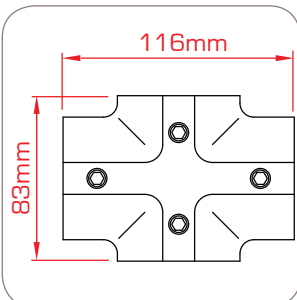
0.41 Kg



90° Elbow
T194003 0.28 Kg

3 Way 90° Elbow
T194009 0.33 Kg

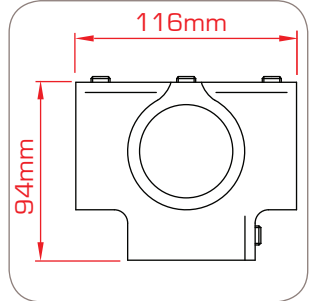
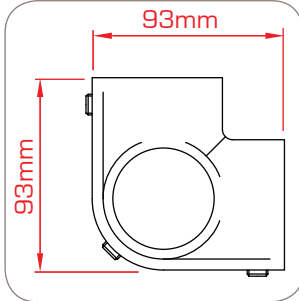
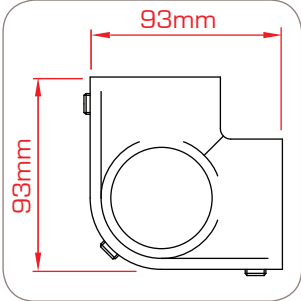
Sleeve Joint
T194070 0.26 Kg



Two Socket Cross
T194007 0.35 Kg

Two Socket Cross (S)
T194007E 0.28 Kg

Four Way Cross
T194106E 0.72 Kg



Corner with Tube (S)

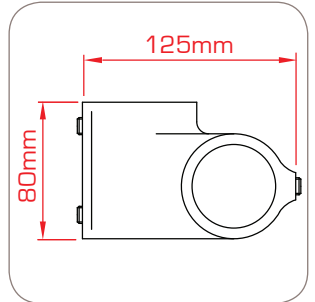
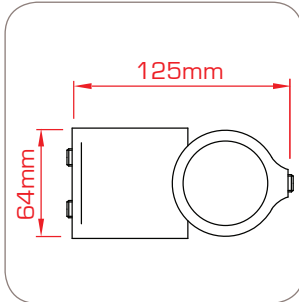
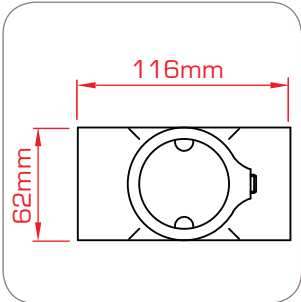
Corner with Tube

Side Outlet Tee

T194011E 0.25 Kg

T194011

T194013 0.39 Kg



Side Outlet Tee (S)

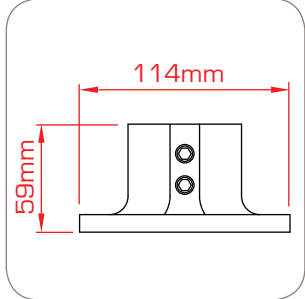
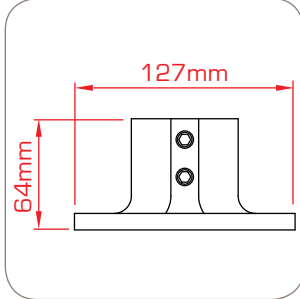
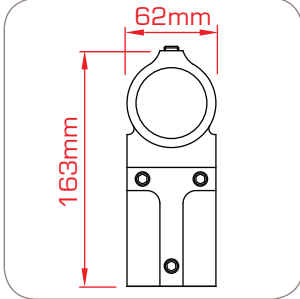
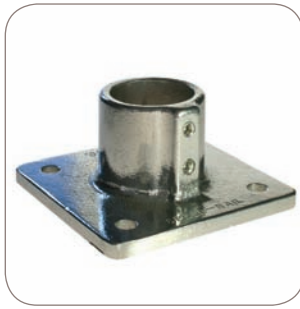
Short 90° Crossover

Long 90° Crossover

T194013E 0.31 Kg

T194012 0.37 Kg

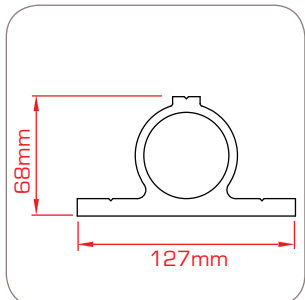
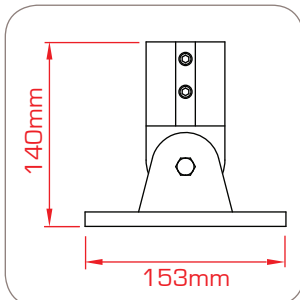
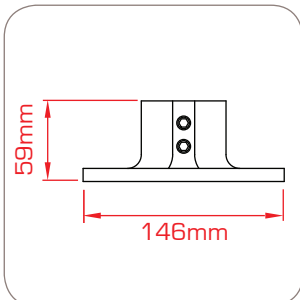
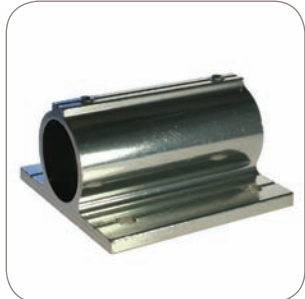
T194010 0.44 Kg



Combo Socket
T194104 0.55 Kg

Floor Flange
T194590 0.50 Kg

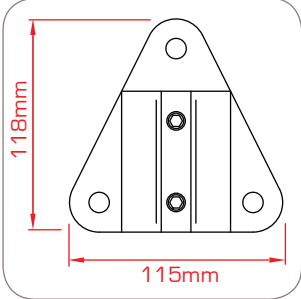
Base Flange
T194042 0.35 Kg



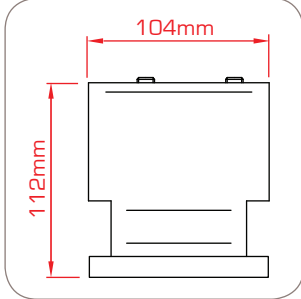
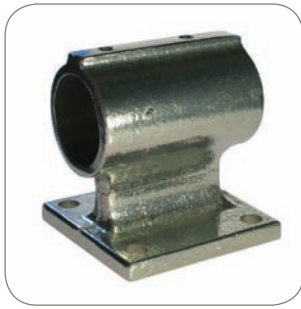
Flange
T194046 0.27 Kg

Adjustable Flange
T194046ADJ 0.82 Kg

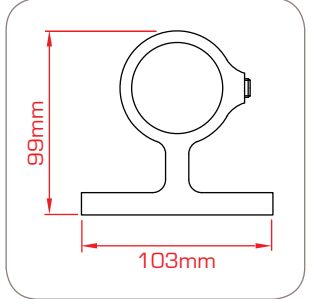
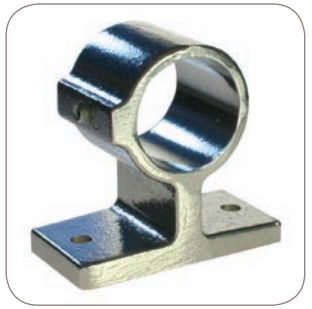
Wall Flange
T194595 0.70 Kg



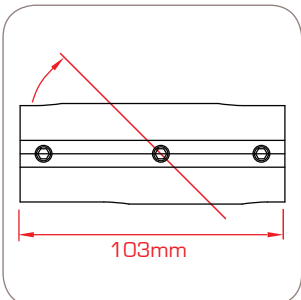
Side Palm Fixing
T194050 0.35 Kg



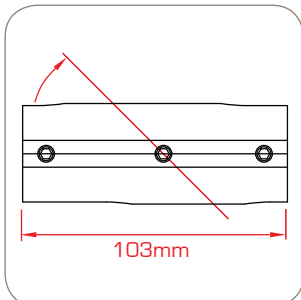
Railing Side Support
T194054/3 0.79 Kg



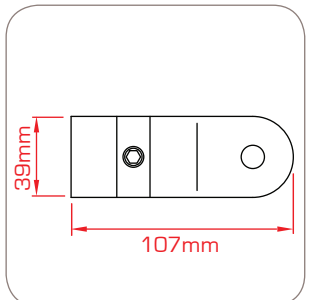
Support Bracket
T194055 0.30 Kg



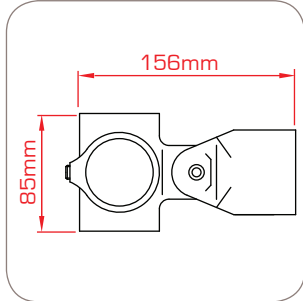
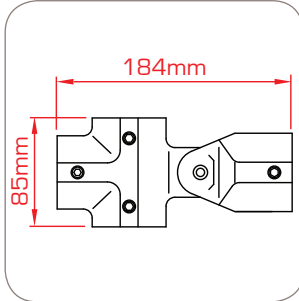
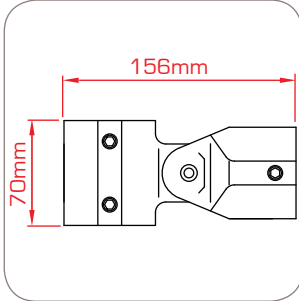
Angle Cross 10° - 35°
T194021-35 0.44 Kg



Angle Cross 30° - 45°
T194021-45 0.25 Kg



Male Swivel Section
T194017EM 0.14 Kg



Swivel Elbow Tee Combo

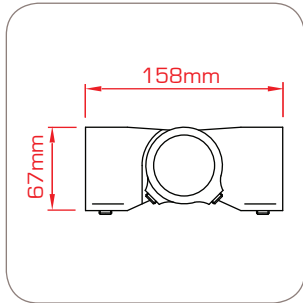
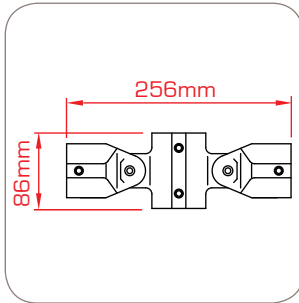
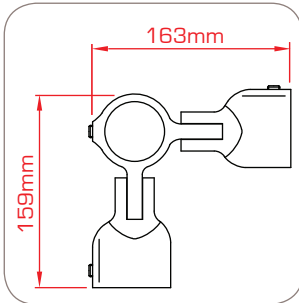
Swivel Tee Combo

Swivel Side Out Combo

T194017ADJ 0.49 Kg

T194023 0.52 Kg

T194025 0.52 Kg



Swivel Dbl-side Combo

Double Swivel Combo

Short Swivel Tee

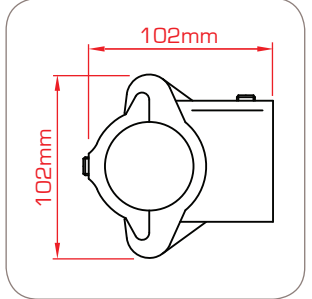
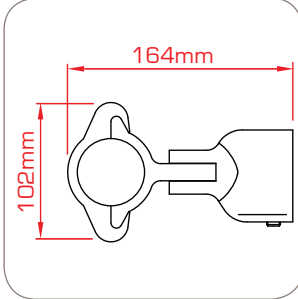
T194027 0.75 Kg

T194019 0.75 Kg

T194030C 0.54 Kg

Modular Fittings

Designed to fit existing structures

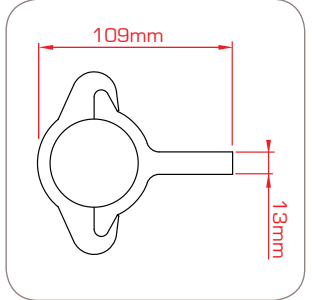
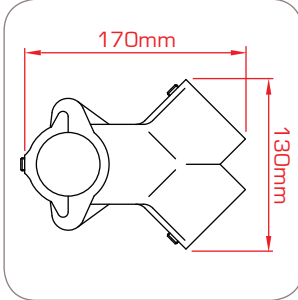
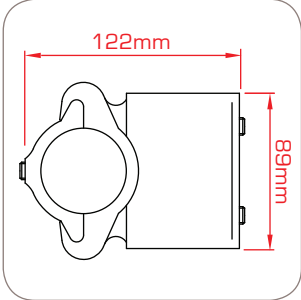
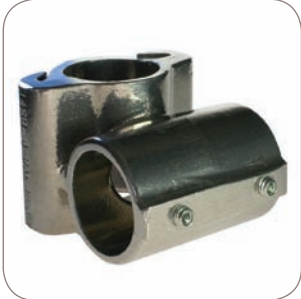


Modular Swivel Tee

Modular Tee

T194017S 0.80 Kg

T194002S 0.53 Kg



Modular 90° Crossover

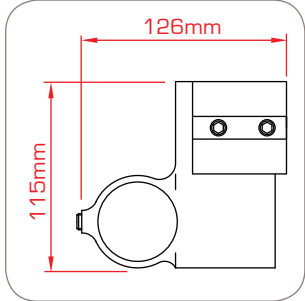
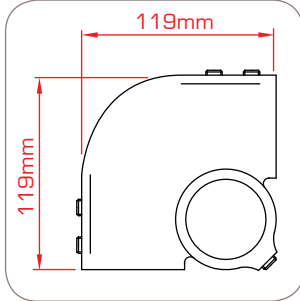
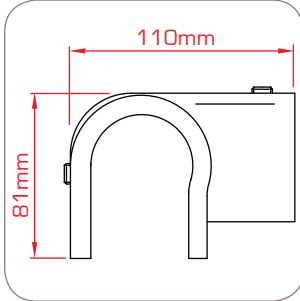
Modular Corner

Modular Male Tee

T194014S 0.64 Kg

T194022S 0.25 Kg

T194017SM 0.49 Kg



Clamp on Tee
T194016 0.35 Kg

Outside Corner
T194020 0.66 Kg

Rackmaster End
T194100 0.77 Kg



Spare Allen Screw
T194120 Plated

Rackmaster Centre
T194102 0.48 Kg

Stop End (PVC)
T13300 Grey
T13301 Black



Allen Key
T194122