

# STUDIO RAIL

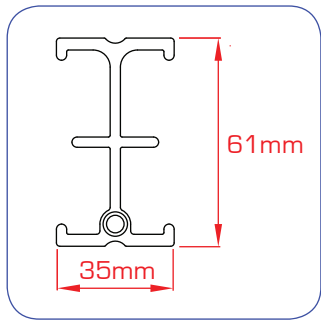
Studio Rail is an extruded aluminium rail available with all the necessary components required to install a comprehensive overhead studio rail system.

These are available in a choice of natural aluminium or black anodised finish. Studio Rail features a unique joint pin system which aids rail alignment and installation.

Studio Rail is available in straight lengths from two to six metres and six standard radius curves with special curves made to order.

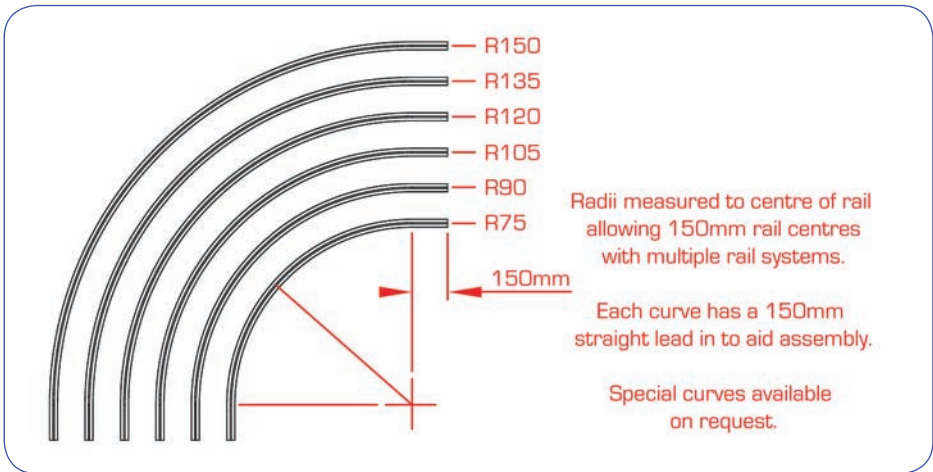
As with most Doughty® products Studio Rail is manufactured in house. We hold an extensive range in stock ready for rapid delivery and are able to offer special bespoke designs and components to customer requirements.





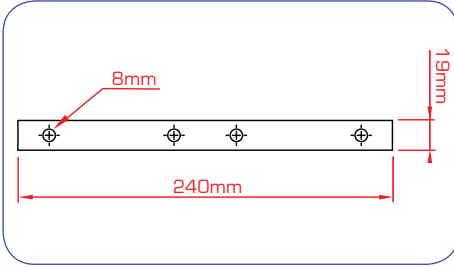
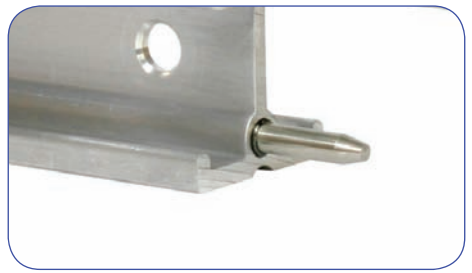
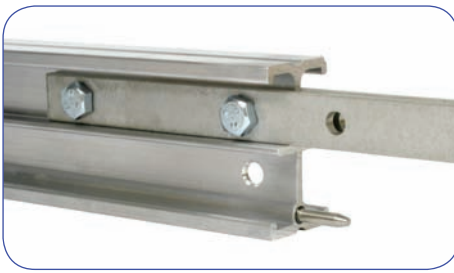
**Straight Rail**

Silver			Black		
T84000	2.00 metre	2.90 Kg	T84035	2.00 metre	2.90 Kg
T84005	3.00 metre	4.30 Kg	T84040	3.00 metre	4.30 Kg
T84010	4.00 metre	5.80 Kg	T84045	4.00 metre	5.80 Kg
T84015	6.00 metre	8.60 Kg	T84050	6.00 metre	8.60 Kg



**Curved Track 90°**

Silver			Black		
T84017	R=75	2.15 Kg	T84052	R=75	2.15 Kg
T84018	R=90	2.49 Kg	T84053	R=90	2.49 Kg
T84019	R=105	2.83 Kg	T84054	R=105	2.83 Kg
T84020	R=120	3.18 Kg	T84055	R=120	3.18 Kg
T84025	R=135	3.51 Kg	T84060	R=135	3.51 Kg
T84030	R=150	3.85 Kg	T84065	R=150	3.85 Kg

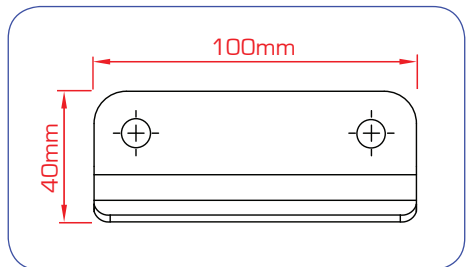
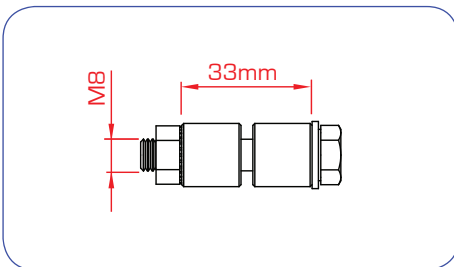
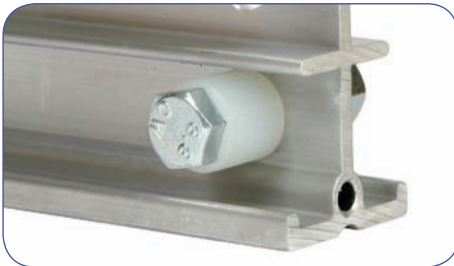


Joiner Kit		
T84070	Silver	0.20 Kg
T84071	Black	0.20 Kg

Spare Joint Pins x 5	
T84075	0.04 Kg

The Joint Pins aid assembly and rail alignment.

Supplied with Joint Pin.

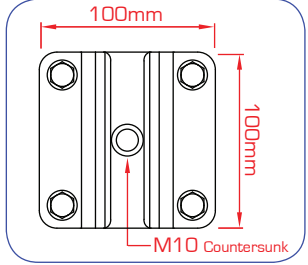
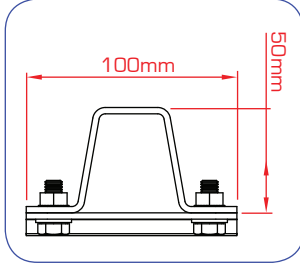
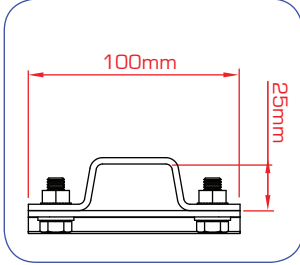
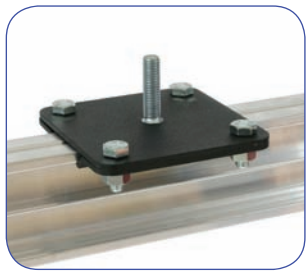
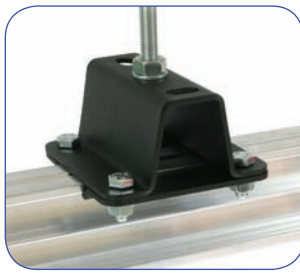
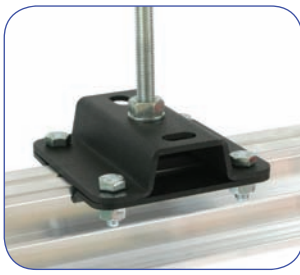


Studio Rail End Stops x 4	
T84080	0.13 Kg

Rail Clamps x 2	
T84085	0.17 Kg

A pair of nylon end stops, supplied as 4 sets.

A pair of steel rail clamps, can be used to clamp rail directly to a solid surface.



**Ceiling Bracket (25mm)**

T84120	0.52 Kg
SWL	100 Kg

Accepts M10 or M12 fixings.  
Supplied with Rail Clamps.

**Ceiling Bracket (50mm)**

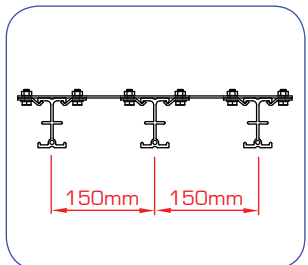
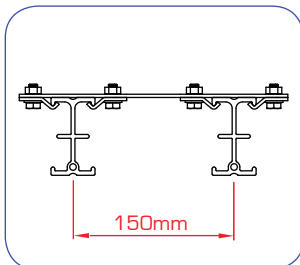
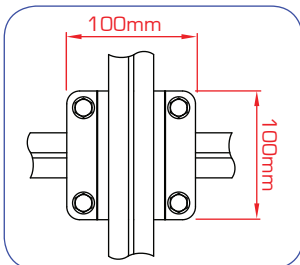
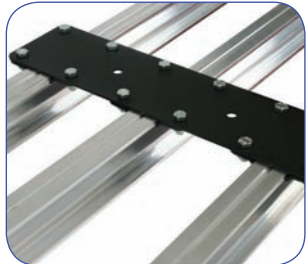
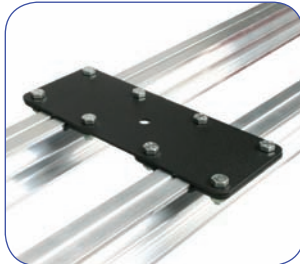
T84121	0.60 Kg
SWL	100 Kg

Accepts M10 or M12 fixings.  
Supplied with Rail Clamps.

**Countersunk Bracket Flat**

T84125	0.45 Kg
SWL	100 Kg

A flat plate with countersunk hole, supplied with Rail Clamps



**90° Crossover Bracket**

T84130	0.65 Kg
SWL	100 Kg

Supplied with 4 x Rail Clamps.

**Spacer Plate Double Rail**

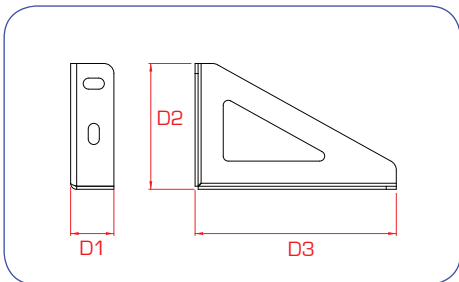
T84110	1.00 Kg
SWL	N/A

Supplied with 4 x Rail Clamps

**Spacer Plate Triple Rail**

T84115	1.30 Kg
SWL	N/A

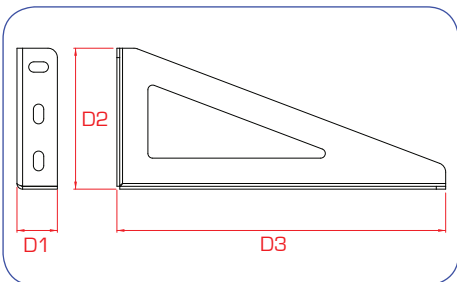
Supplied with 6 x Rail Clamps.



Studio Rail Slotted Wall Bracket 200mm

	SWL	D1	D2	D3	Kg
T84105	25 Kg	43mm	125mm	200mm	0.55 Kg

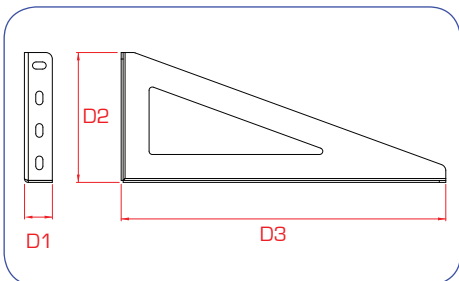
Can be used with T84120 Ceiling Bracket.



Studio Rail Slotted Wall Bracket 350mm

	SWL	D1	D2	D3	Kg
T84106	25 Kg	43mm	150mm	350mm	0.90 Kg

Can be used with T84120 Ceiling Bracket.



Studio Rail Slotted Wall Bracket 500mm

	SWL	D1	D2	D3	Kg
T84107	25 Kg	43mm	200mm	500mm	1.50 Kg

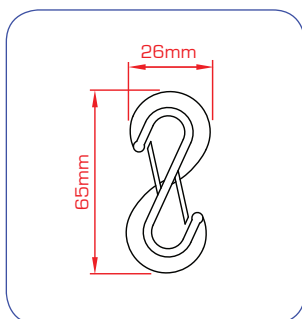
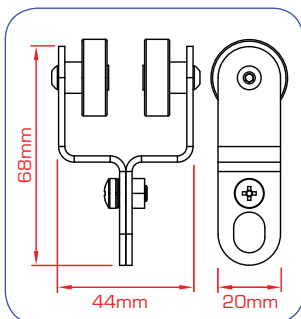
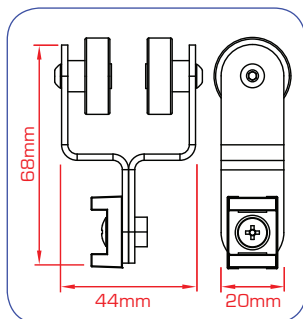
Can be used with T84120 Ceiling Bracket.

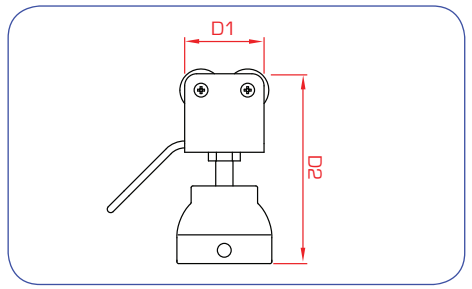


Cable Carriage x 5	
T84220	SWL 6 Kg
Steel frame with bearings	

Curtain Carriage x 5	
T84225	SWL 6 Kg
Steel frame with bearings	

Twin Hook	
T63796	SWL 6 Kg

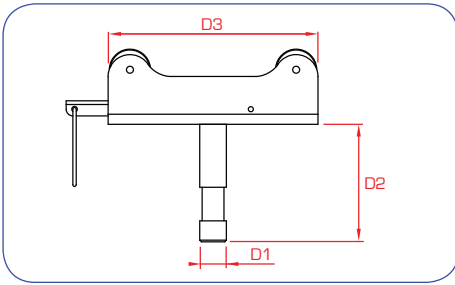




Cupped Curtain Brake

	SWL	D1	D2	D3	Kg
T84230	N/A	45mm	110mm	N/A	0.35 Kg

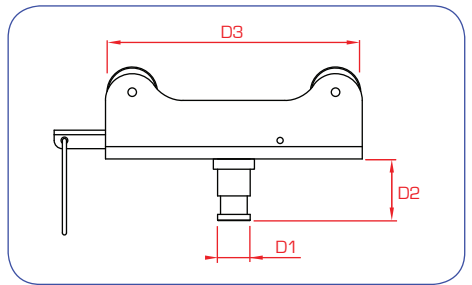
Predominantly used to anchor each end of a curtain.



4 Wheel Carriage with 16mm Spigot

	SWL	D1	D2	D3	Kg
T84185	50 Kg	16mm	70mm	125mm	0.50 Kg

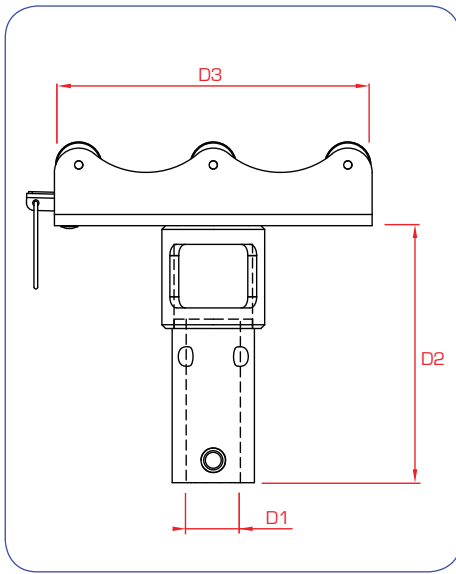
Designed to accept a 16mm receiver and fitted with a friction brake as standard.



4 Wheel Carriage with 16mm Mini Spigot

	SWL	D1	D2	D3	Kg
T84186	50 Kg	16mm	30mm	125mm	0.45 Kg

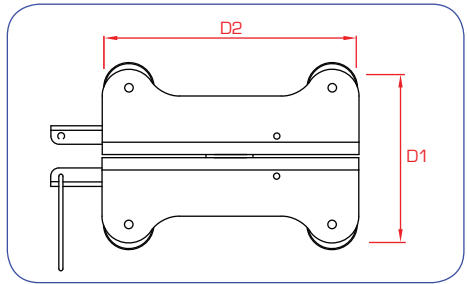
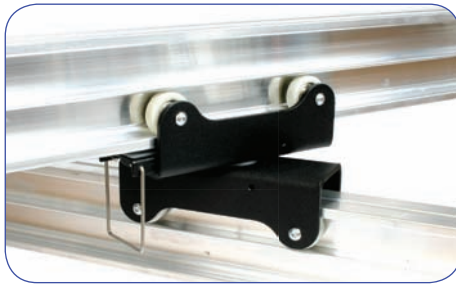
Designed to accept a 16mm receiver and fitted with a friction brake as standard.



### 6 Wheel 28mm Receiver Carriage

	SWL	D1	D2	D3	Kg
T84205	100 Kg	29mm	138mm	170mm	1.10 Kg

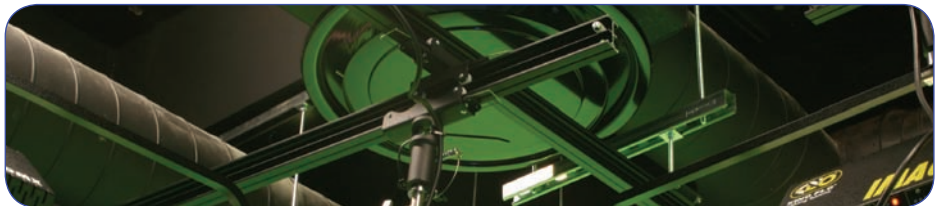
A six wheel carriage fitted with a brake and 3 point 28mm receiver.

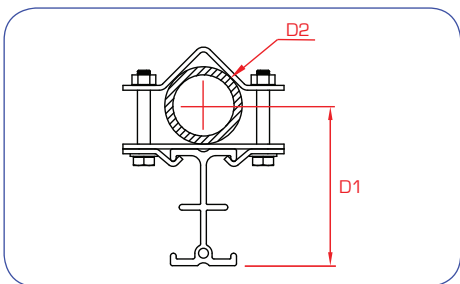


### 4 Wheel Double Swivel Carriage

	SWL	D1	D2	D3	Kg
T84215	75 Kg	85mm	125mm	N/A	0.90 Kg

The double swivel carriage enables two rails to be mounted on top of one another. Ideal for use where two parallel rails are installed with cross rails to suspend the luminaires etc.

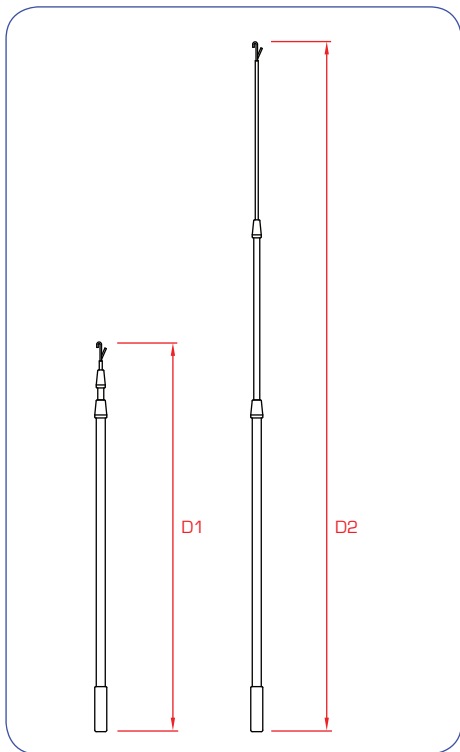




Rail to Tube Bracket

	SWL	D1	D2	D3	Kg
T84180	100 Kg	100mm	48 - 51mm	N/A	0.80 Kg

This bracket enables Studio Rail to be mounted to 48 - 51mm diameter tubes.



Operating Poles

	SWL	D1	D2	D3	Kg
T84250	N/A	1470mm	3700mm	N/A	1.20 Kg

A lightweight telescopic anodised aluminium operating pole fitted with a replaceable hook.



### Studio Rail Drilling Jig

T84260

0.26 Kg

A CNC machined aluminum jig fitted with hardened drill bushes. This jig enables the installer to drill the joint holes in any cut pieces of rail accurately ensuring a correctly aligned joint.