

XR-LASER GREEN

XR-LASER RGB

MOVING HEAD LASER PROJECTORS



XR-LASER is a new range of laser projectors for a vast variety of uses, like clubs, events, multimedia productions and concerts.

XR-LASER is a radical advance on conventional cumbersome laser projectors.

XR-LASER in fact combines the versatile operation of a medium-power laser with the flexible use of a mobile head with 16-bit movement and 6 selectable speed ranges.

XR-LASER is very simple to use thanks to its intuitive controls, similar to a standard moving head projector's (gobos, zoom, etc.); it can be easily integrated into any fixed or mobile lighting system, and it can be piloted from any DMX console.

Projector's maintenance is reduced to a minimum (sealed optical unit).

XR-LASER is available in 2 models:

XR-LASER GREEN (green laser) and **XR-LASER RGB** (multi colour laser).

XR-LASER projects graphic images with extremely regular forms, thanks to the speed of the internal galvanometers (30,000 positions/sec).

128 gobos (images/animations) are ready for use in the incorporated 128MB SD card, and a virtually unlimited number of images, 2D/3D animations, logos, etc. can be easily created with the powerful Win32 application supplied as standard.

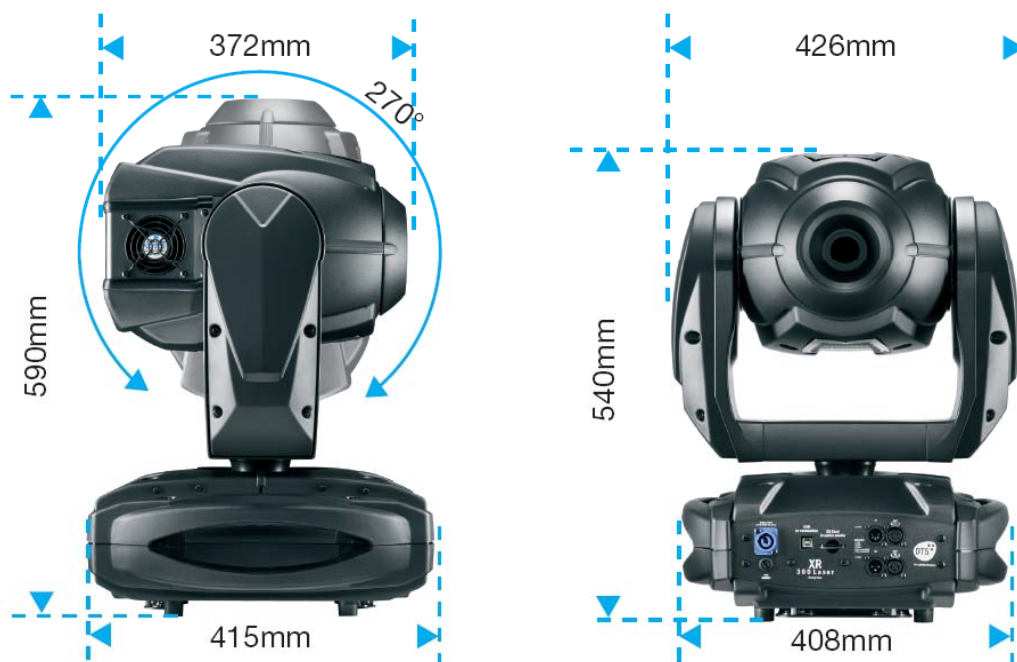
XR-LASER guarantees total safety of operation: the projection in fact stops automatically in case of knocks or malfunction.



The Lighting Company



● **XR-LASER GREEN** ● **XR-LASER RGB**
MOVING HEAD LASER PROJECTORS



Class

Class 3B laser

Power

350mW (XR-LASER GREEN); 500mW (XR-LASER RGB)

Optical group

Sealed optical path (minimal maintenance required)

Colours

Green (XR-LASER GREEN); Multi colour (XR-LASER RGB)

Dimmer

Electronic linear dimmer

Strobe

Electronic strobe from 0,85 flash/sec to 10 flash/sec

Zoom

Electronic zoom (4°-28°)

Prism

Electronic indexable multistep prism rotating in both directions

Features

Internal memory: 128MB SD card

128 images / animations ready for use; 256 cues

Free Win32 application for creating 2D/3D images and animations

All graphics are ILDA compatible; Capable of 255 text characters

Operating system updatable via USB

Pan / Tilt

Pan 540° (2,8 sec.); Tilt 270° (2 sec.); 16-bit resolution

Super Speed function (6 selectable speeds); Automatic Pan/Tilt repositioning in case of knocks

DMX

11 / 18 DMX channels (XR-LASER GREEN); 12 / 19 DMX channels (XR-LASER RGB)

Controllable by any DMX console

Connections

2 XLR connectors (In and Out) with 3 and 5 poles selectable by user

Power supply

Full range power supply 90-245V

Power consumption: 800 W (XR-LASER GREEN) / 900 W (XR-LASER RGB)

Standard accessories

"GQuick" clamps with fast-lock connection ¼ turn; Safety steel cable

Thermal Operating ambient temperature -10° / +40°

Weight 18 Kg

