

QUATTRO BEAM 2300

COMPACT HIGH PERFORMANCE SPOTLIGHT
2300W, 230V



QUATTRO BEAM 2300

The QUATTRO BEAM 2300 is so powerful it brightens up any size stage. The brilliant light output is based on the superefficient ETC PAR MCM spotlight. Practically 100% 'cool' light is reflected by the mirrored reflector, passing heat from the HPL Halogen lamp through to the rear of the luminaire.

The QUATTRO BEAM 2300 multiplies the light output of the PAR MCM by four, in a single compact and space efficient housing.

The QUATTRO BEAM 2300 is perfect at all beam throws and is suited for theatres, opera, television and conferences. The beam angle may be set between 15° and 50°.

THE QUATTRO BEAM 2300 INCLUDES THESE FEATURES

- ✓ Comparative light output to 5000 W Fresnels but only using 2300 W
- ✓ Streuwinkel von 15° bis 50° mittels Wechsel-Linsen
- ✓ Beam angle can be set to between 15° and 50° by changing lenses
- ✓ 6700 lux at 10m throw using the 22° NSP lens
- ✓ 400 hours lamp life with the 575W, 230V Halogen lamp
- ✓ Easy change lamp tray
- ✓ Compact with yoke, and can be used hanging or standing
- ✓ Can be operated at any position
- ✓ Colour filter frame 470 x 470 mm
- ✓ Total weight, 20 kg
- ✓ Dimensions: W x D x H: 555 x 445 x 642 mm
- ✓ Rainproof cover available for exterior use

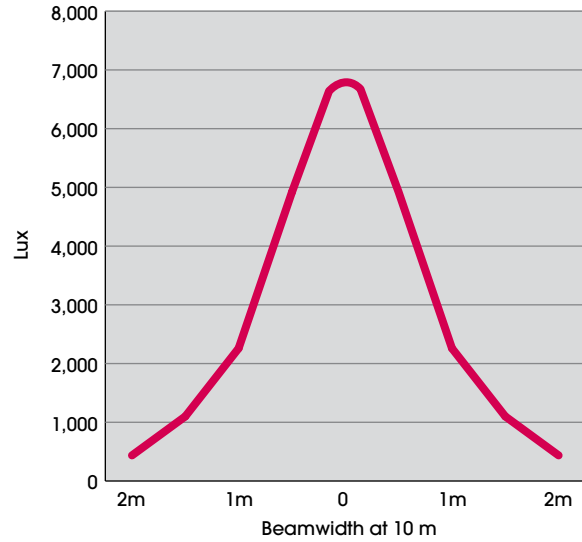
lighting innovation

QUATTRO BEAM 2300

COMPACT HIGH PERFORMANCE SPOTLIGHT
2300W, 230V



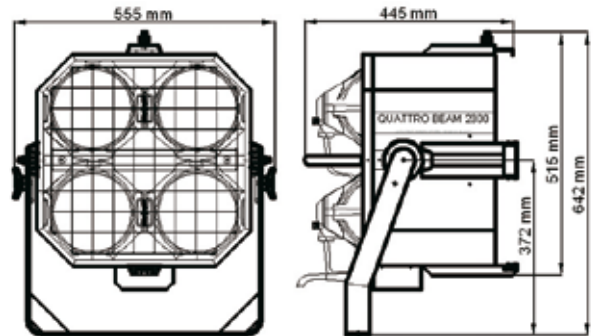
QUATTRO BEAM WITH NERROW SPOT LENS



PHOTOMETRIC DATA

Beam Throw: 20m / Lamp: Ushio HPL 575W/230V WCN

Lens type	angle	lux	cd
Very Narrow Spot VNSP	15°	1750	700,000
Narrow Spot NSP	22°	1675	670,000
Medium Flood MFL	30°	798	319,000
Wide Flood WFL	50°	282	113,000



In November 2009, 30 QUATTRO BEAM 2300 units were installed in the beautiful Marble Hall of the Kremlin Senate Palace. Built in 1787, the Marble Hall is used a 'the great conference hall', and the Palace is today the residence of the President.

A-1070 Vienna, Museumstrasse 3b
T: +43-1-526 52 56
office@lightinginnovation.at
www.lightinginnovation.com

lighting
innovation

Hermann Sorger GmbH