



# Product Specification Sheet

## Rama 175 Fresnel 7°- 56°



**The Rama High Performance 175 Fresnel (1.0/1.2kW, 175mm lens) provides an adjustable cone of light has a soft edge and is easily blended with adjacent beams to provide even illumination.**

The large 175mm lens provides up to 50% more illumination than conventional 150mm Fresnels.

### Features

Supprex glass lens produces crisp white light.

Integrated safety bond rated for the fitting; maximum free length = 670mm.

Adjustable yoke balance point.

'Swing-down' door for easy access to lamp or cleaning. Disconnects the mains power supply on opening.

Smooth 'posi-slide' focus system, no metal to metal contact.

Constructed of aluminium extrusion and moulded engineering plastics.

Cooler operation due to use of engineering plastics on front (colour frame mount) and rear of luminaire.

Heat-insulated rear grab-handle which doubles as handy storage for the 1m cable length.

Tilt and focus scales are in real degrees allowing for accurate WSIYWYG implementation.

### Lamps: 220V -240V

<b>T/29 1200W</b> 27,600 lumens	480 hrs average life
<b>CP90 1200W</b> 30,000 lumens	400 hrs average life
<b>T/11 T/19 1000W</b> 21,500 lumens	900 hrs average life
<b>CP70 1000W</b> 25,000 lumens	400 hrs average life

### Order codes

**16RAFR175**  
Rama 175 Fresnel - GX9.5 lamp base

**16RAFR175G22**  
Rama 175 Fresnel - G22 lamp base

**16RAFR175MY**  
Rama 175 Fresnel - GX9.5 lamp base for motorised yoke

**20BDSF12**  
Rama barndoor

**20SM6**  
Rama lens safety mesh

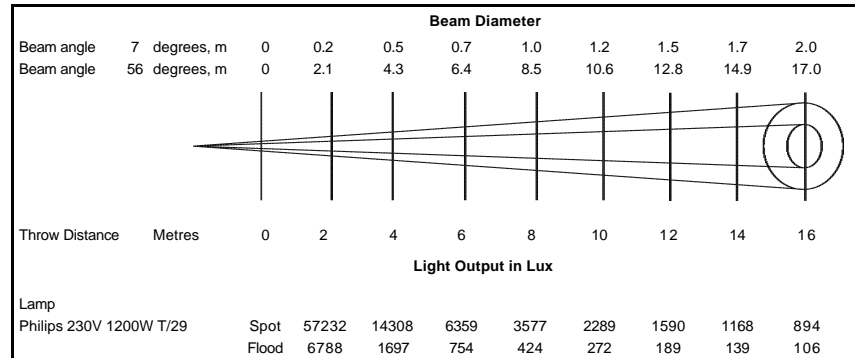
### Approvals

Compliant to CE standards.



## Photometric data

Tests conducted using a standard T29, 1200W, 230V lamp.  
 Peak candela at 7° - 228,939  
 Peak candela at 56° - 27,158



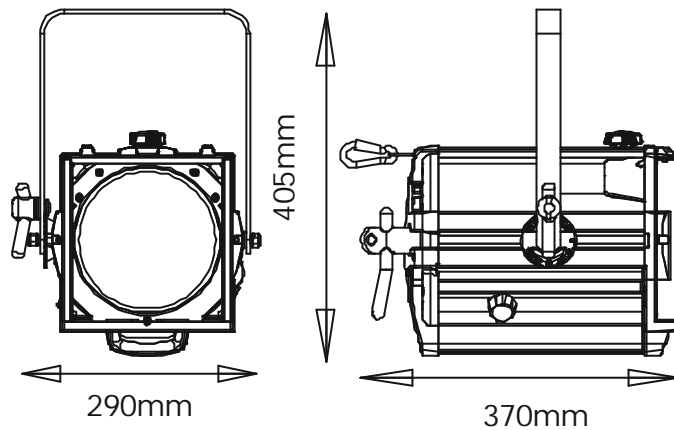
## Physical data

**Weight:** 5.3kg

**Packed weight:** 6.2kg

**Colour frame size:** 186mm x 190mm

**Included:** 1x colour frame, yoke nut & bolt, instruction sheet



Selecon reserves the right to change the specifications without notice (06/08)