



# Product Specification Sheet

## Acclaim CST 250 Fresnel



**High intensity studio and display luminaire with adjustable 7°–60° soft edge beam for controlled illumination using the long life 250W 3200K CST lamp.**

**The adjustable spot to medium flood beam is easily blended with adjacent beams and can be shaped using the 4-door barndoor accessory.**

Compact sized luminaire with integral universal electronic power supply (no fans) and automatic mains power disconnection when opening the luminaire.

The Acclaim 250 CST Fresnel is built Selecon tough from aluminium extrusion and moulded engineering plastics – robust, dependable, safe and easy to rig backed by the unique Selecon 3-year warranty for entertainment luminaires.

### Features

Available in charcoal flat black.

A wide range of beam angles from 7°–60° with high output, low wattage “tungsten” 3200°K colour discharge lamp.

Integrated safety bond.

Cooler focus operation due to the use of engineering plastics on front (colour frame mount) and rear.

Adjustable yoke balance point.

‘Swing-down’ side door for easy access to lamp or for cleaning. Micro-switch automatically isolates the mains power supply when opened. Lamps are quickly and safely replaced.

Hot restrike operation. Universal electronic power supply 110V–240V. Current consumption for 240V = approximately 280W.

OFF / ON mains switch on rear panel.

Heat-insulated rear grab-handle which doubles as handy storage for the 3m cable length.

New barndoor design, cool to focus maintaining settings through unique hinge tension design.

Focusing is fast and safe using the large rear grab handle and heat protected focus knob and filter holder

### Order Codes

**12ACFCST250**  
Acclaim CST 250 Fresnel - black

**20BDMF**  
Barndoor - black

**15ACSM**  
Lens safety mesh

### Approvals

CE, C-tick and EMC approvals pending.



## Photometric data

		Beam Diameter in metres									
Beam angle		7 degrees, m	0.0	0.2	0.5	0.7	1.0	1.2	1.5	1.7	2.0
Beam angle		60 degrees, m	0.0	2.3	4.6	6.9	9.2	11.5	13.9	16.2	18.5
Throw Distance in metres			0	2	4	6	8	10	12	14	16
		Light Output in Lux									
CST 250 lamp	7	Spot	12875	3218	1430	805	515	358	263	201	
	60	Flood	1737	434	193	109	69	48	35	27	

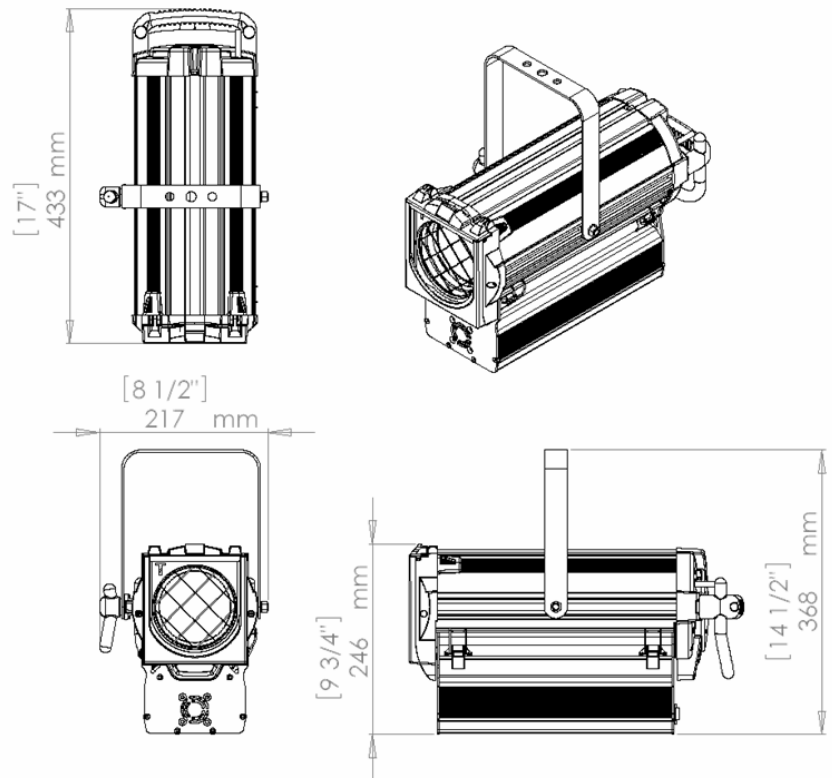
## Physical data

**Weight:** 5.7kg

**Cable length:** 3m

**Colour Frame Size:** 125mm x 125mm

**Luminaire with integrated safety bond supplied with:** 1x colour frame, 1x M12 nut & bolt set and instruction leaflet.



Selecon reserves the right to change the specifications without notice (July 2009).