

AUTOYOKE

with PARNeI

User Manual

ver 1.0

CITY

THEATRICAL

I N C

752 EAST 133RD STREET BRONX, NY 10454
718/292/7932 800/230/9497 FAX:718/292/7482
email: info@citytheatrical.com
www.citytheatrical.com

TABLE OF CONTENTS

SECTION 1 SPECIFICATIONS

1-1	Dimensions and Weight	p. 1
1-2	Compliance	p. 2
1-3	Electrical	p. 2
1-4	Protocol	p. 2
1-5	Motors	p. 2

SECTION 2 SAFETY..... p. 3

SECTION 3 INSTALLATION AND SET-UP

3-1	Unpack and inspect the shipping container	p. 4
3-2	Balancing the System	p. 5 - 6
3-3	Attaching a Color Scroller	p. 7 - 9
3-4	Replacing the PARNel Lamp Housing Assembly on the Unit.....	p. 10
3-5	Hanging the AutoYoke	p. 11
3-6	Power cable	p. 11
3-7	Data cable	p. 11

SECTION 4 USER INTERFACE

4-1	Menu system	p. 12
4-2	Address	p. 13
4-3	Calibrate	p. 14
4-3a	Calibrate All	p. 14
4-3b	Calibrate a single attribute	p. 15
4-3c	AutoCalibrate	p. 15
4-4	Invert	p. 16
4-5	Resolution	p. 17
4-5a	8 bit or 16 bit	p. 17
4-5b	DMX Smoothing values.....	p. 18
4-6	Pan, Tilt, and Focus Limits	p. 19
4-7	Software release.....	p. 21
4-8	LED Display.....	p. 21
4-8a	Timeout	p. 21
4-8b	Brightness	p. 22
4-9	Restore factory defaults	p. 22
4-10	Error messages	p. 23

SECTION 5 OPERATION

5-1	DMX channel assignments.....	p. 24
5-2	Pan and Tilt	p. 24
5-3	Default setting.....	p. 25
5-4	Personality settings	p. 25
5-5	Control channel	p. 26
5-6	Encoders	p. 27

SECTION 6 BEAMSPREAD AND COLOR CONTROL

AutoFocus.....	p. 27
Scrollers	p. 27

SECTION 7 MAINTENANCE

Software revisions	p. 28
Spare parts	p. 28
Lighting fixture	p. 28

SECTION 8 WARRANTY

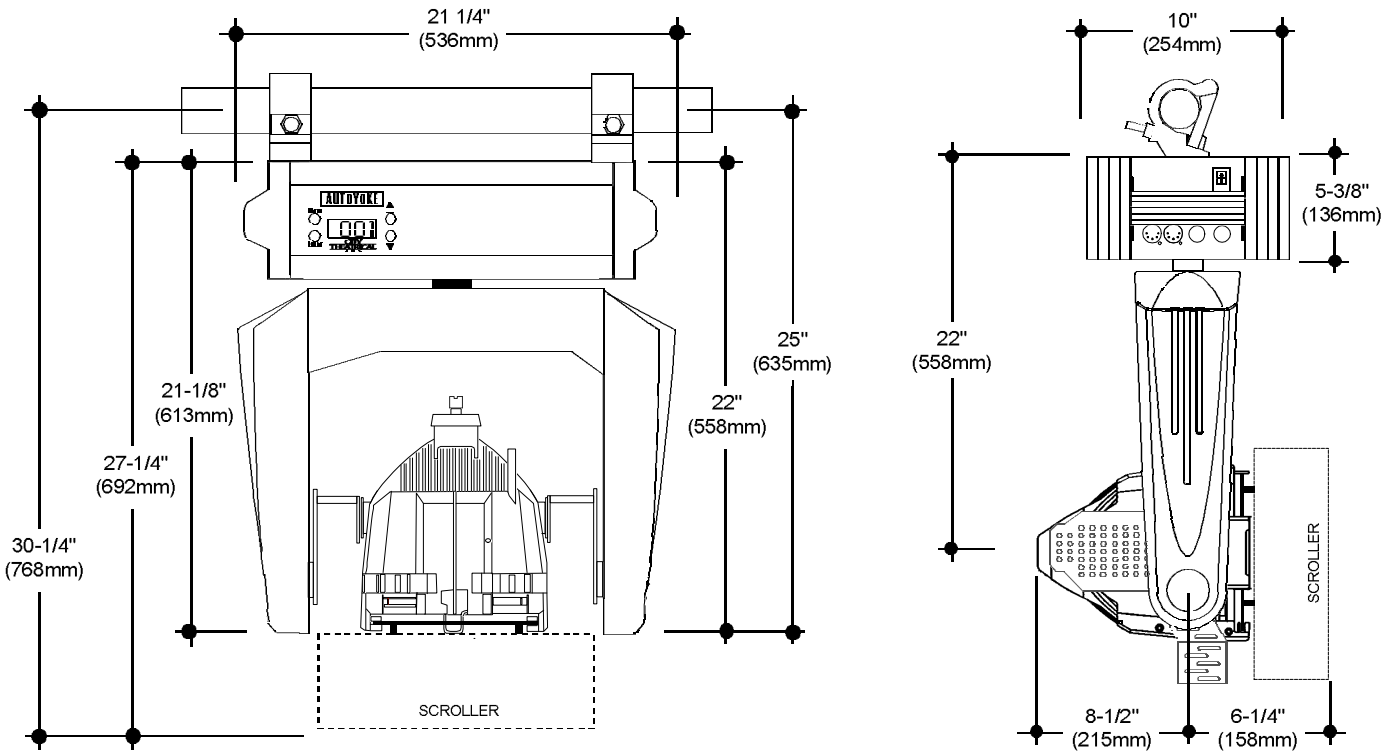
Limited Warranty.....	p. 28
Procedure	p. 28

*** Trouble Shooting Guide and Balancing Guide are located after page 28.

SECTION 1: SPECIFICATIONS

1-1 DIMENSIONS & WEIGHT

AutoYoke weight: 26 lbs (11.7 kg)
Total weight of **AutoYoke with Source Four PARNel**: 36 lbs (16.2 kg)



***Note: AutoYoke is shown with ETC Source Four PARNel and Light Source "Mega Claw" clamps.

1-2 COMPLIANCE

Conforms to UL STD 73, Eighth Edition - Motor Operated Appliances.

Certified to CAN/CSA C22.2 NO.: 68.92

ETL# 9801635

CETL# 9801635

CE, GS,

1-3 ELECTRICAL

- Working voltage: 100-240 VAC, 50/60 Hz
- Rated current: 1.3A

1-4 PROTOCOL

- USITT DMX512
- Start code: (00h)
- Maximum load: 32 fixtures per DMX link (See Section 3-7, Data Cable)
- Maximum length of DMX link: 2000' (See Section 3-7, Data Cable)
- Required control channels: 7 (16-bit) or 5 (8-bit) (See Section 3-7, Data Cable)
- Termination: 120Ω (See Section 3-7, Data Cable)

1-5 MOTORS

- High torque stepper motor, half stack
- Rated voltage DC: 8.7
- Step angle (degrees): 1.8

SECTION 2: SAFETY

- A moving light is a dangerous piece of equipment. It is for professional use only.
- If the supply cord is damaged, it must be replaced by the manufacturer or its service agent or a similarly qualified person in order to avoid a hazard.
- Follow all safety procedures that apply to the lighting fixture, per its manufacturer's instructions.
 1. Refer to the lighting fixture's user manual for all applicable safety information.
 2. Maintain minimum safe distances.
- The AutoYoke with PARNel is designed for use only with the ETC Source Four PARNel. Using a fixture other than the ETC Source Four PARNel **WILL VOID THE AUTOYOKE WARRANTY.**
- Always ground (earth) the AutoYoke electrically.
- Balance of the lighting fixture as mounted in the AutoYoke is critical to proper operation of the AutoYoke. Attempting to operate the AutoYoke while the lighting fixture is out of balance presents a significant risk of inaccuracy, increased motor noise and component failure. See Section 3-4, Balancing the System, for complete information.
- Never lift the AutoYoke by the lighting fixture. Always lift and carry the AutoYoke by its two handles, located on the sides of the power supply.
- Always suspend the AutoYoke from approved clamps secured to the designated points on the AutoYoke power supply. See Section 3-5, Hanging the AutoYoke, for further information.
- Always use an approved safety cable when hanging the AutoYoke.
- Always disconnect the AutoYoke from AC power before service.
- Do not use DMX accessories that are not cited in this manual due to possible electrical incompatibility with the AutoYoke.
- Do not allow the AutoYoke or its accessories to come into contact with moisture.
- Do not put flammable materials on or near the AutoYoke.

SECTION 3: INSTALLATION AND SET-UP

WARNING: Using a fixture other than the ETC Source Four PARnel with the AutoYoke
WILL VOID THE AUTOYOKe WARRANTY!

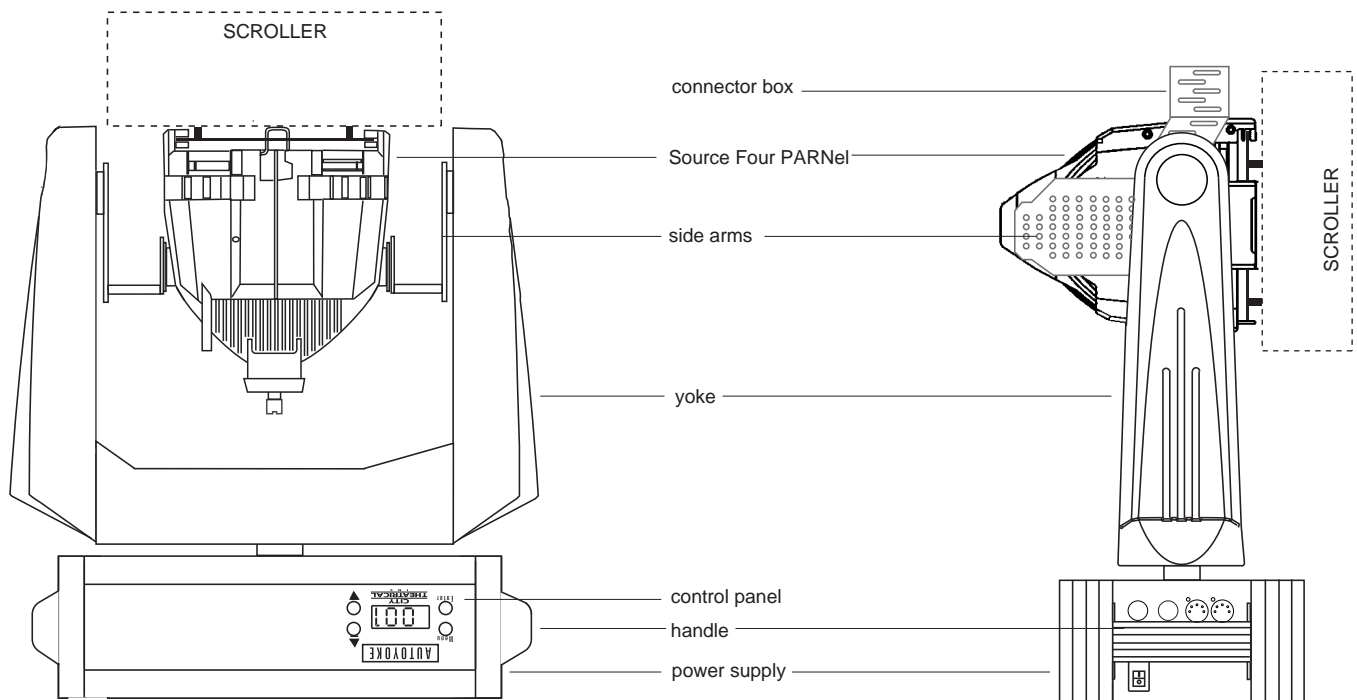
Additional hazards include the following:

- Damaging both the AutoYoke and the lighting fixture
- Fixture detaching from the AutoYoke
- Fire hazard

3-1 UNPACK AND INSPECT THE SHIPPING CONTAINER

Verify that the AutoYoke has arrived complete and undamaged. The shipping container should contain the following items:

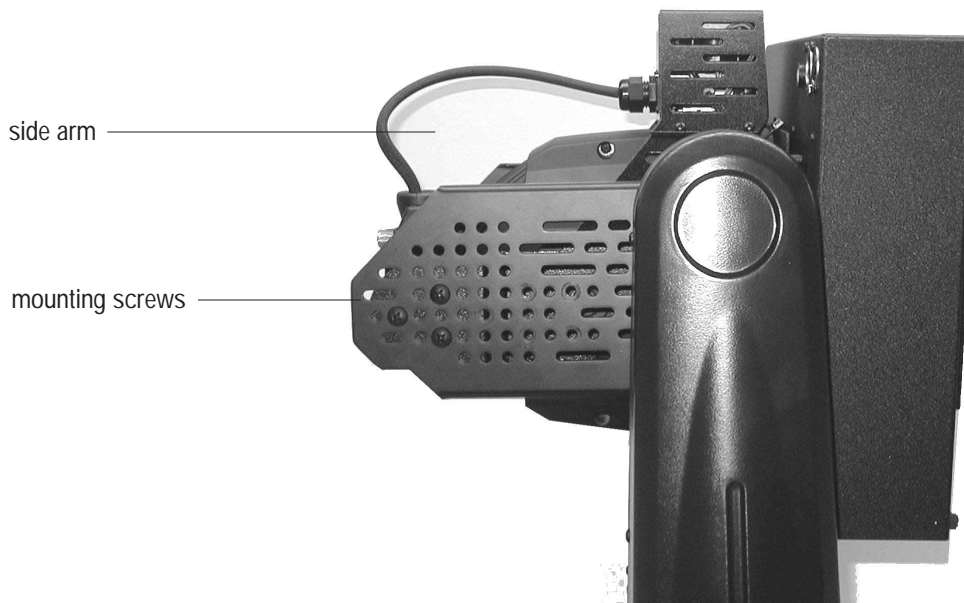
- (1) AutoYoke with ETC Source Four PARnel
- (1) User's Manual



3-2 *BALANCING THE SYSTEM*

The AutoYoke with PARNel must be correctly balanced to insure proper operation. Follow the steps described below. There are a total of 6 (six) mounting holes, 3 (three) located on each side arm. They are arranged in a triangle with the point of the triangle facing backwards. Use 1/4-20 x 1/2 -inch long, pan head screws in all of the mounting holes. Failure to do so may result in poor performance of the of the AutoYoke. There are extra holes that are not marked in the Balancing Guide to allow for balancing of the unit in the future for other accessories that were either not available or not used when the Balancing Guide was published.

- a) Refer to Balancing Guide table and figure at the last page of this manual.
- b) Locate along the top of the table which color scroller will be used.
- c) Locate along the side of the table which accessory will be used, if any.
**Note: Not all accessories are usable with all color scrollers. The combinations that are not valid are marked with an "N/A" (not applicable) in the table.*
- d) The intersection of the color scroller column and the accessory row will determine which set of holes to use in the side arms for the proper balancing of the system.
- e) Mount the PARNel-cradle assembly to the side arms using the set of holes determined from the previous step. Make sure that the cradle is square with respect to the side arms.
- f) Mount and secure the color scroller (if any) to the PARNel fixture and connect scroller to the connector box of the AutoYoke. Please refer to Section 3-3, Attaching a Color Scroller/ Accessory, for instructions.
- g) Mount and secure the accessory (if any). Refer to Section 3-3, Attaching a Color Scroller/ Accessory, for instructions.
- h) Tighten all hardware.



- i) The lighting fixture is balanced when it free drifts to a near horizontal position (perpendicular to the AutoYoke) or slightly front heavy. **Operating an imbalanced AutoYoke will result in inaccuracy.**

Some examples are as follows:

EXAMPLE 1

You will use the system without a color scroller and with or without a color frame. Look in the table for *No Scroller and No Accessory or Color Frame*. The table will show that the PARNel-Cradle assembly should be mounted to the side arms using the #1 set of holes. This is the default configuration when the unit is shipped from the factory (unless special instructions have been provided to have the unit in another configuration prior to shipment). This allows the user to run the AutoYoke straight from the box.

EXAMPLE 2

You will use the system with a Top Hat but the system is configured/balanced for No Accessory. Begin by removing the screw at the point of the "V" on one side arm, and loosen the other two screws. Remove all the screws from the #1 set of holes in the other side arm and loosely reinstall them in the #2 set of holes in accordance to the Balancing Guide table. Remove the two screws from the #1 set of holes in the first side arm and tightly reinstall them along with the third screw in the #2 set of holes, while making sure that the cradle is square with respect to the side arms. Tighten the screws in the other side arm, again making sure the cradle is square. Mount and safety the Top Hat.

**Note: The method cited in Example 2 is only useful when moving from an adjacent set of holes. By leaving some of the screws in loosely, it allows you to move the PARNel-cradle assembly to the other hole location easily. If the new set of holes is further than the adjacent set of holes, all of the screws must be removed and reinstalled to the new location.*

EXAMPLE 3

You will use the system with a "Wybron" CXI color scroller but the unit is configured/balanced for No Accessory. Look in the table for the CXI color scroller then the top hat. The table will show that the PARNel-cradle assembly should be mounted to the side arms using the #6 set of holes. Follow steps e through h of the instructions on the previous page.



CXI Color Scroller- #6 set of holes

3-3 *ATTACHING A COLOR SCROLLER*

A color scroller is an optional accessory, and is not supplied by City Theatrical, Inc. See Section 6 for further information.

THE AUTOYOKE SUPPORTS THE WYBRON FORERUNNER, WYBRON CXI (See cable note below), WYBRON COLORAM II (See cable note below), RAINBOW PRO SERIES, AND CHROMA Q M-1 COLOR SCROLLERS. THE AUTOYOKE SUPPLIES POWER TO THE SCROLLER; OTHER MANUFACTURER'S SCROLLERS ARE NOT ELECTRICALLY COMPATIBLE. ATTEMPTING TO USE A SCROLLER OTHER THAN THOSE LISTED ABOVE WILL POTENTIALLY DESTROY THE SCROLLER.

All AutoYoke-compatible scrollers that are not Wybron CXI nor Wybron Coloram II are referred to in this manual as direct DMX scrollers.

See Section 4-2 for addressing.

1. Insert the scroller into the lighting fixture gel frame holder.
2. Secure color scroller to the fixture as tight as possible by use of plastic cable ties. This ensures that the scroller will not move no matter what position it is in. Any extra movement on the scroller while the unit is moving may cause inaccuracy due sudden weight shifts.
Loop the cables thru the adaptor plates then thru the tabs near the rim of the fixture. Use four attachment points if possible. See pictures below on various attachment styles depending on the choice of scroller.

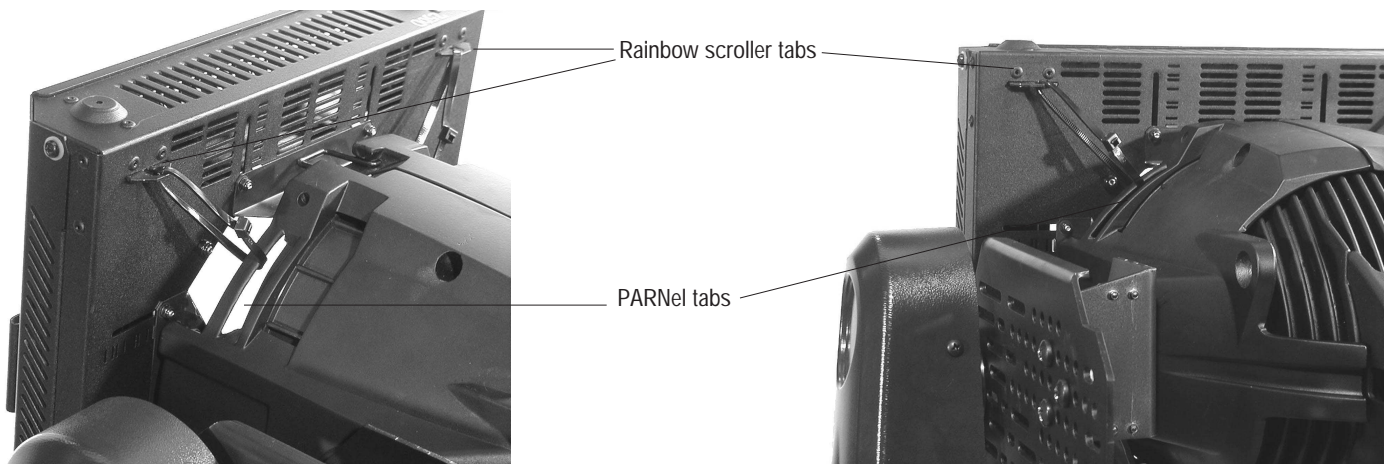


CXI, Coloram II



Chroma Q - M1*

* Note that the Chroma-Q M1 is inserted to the fixture upside down due to the location of its data in/out connectors and due to this, secure the scroller cable to make sure that it does not interfere in any way to the AutoYoke's range of motion.



Rainbow Pro Series 8**

* For the Rainbow scroller, use the two tabs at the top of the scroller as attachment points to the tabs of the PARnel fixture.

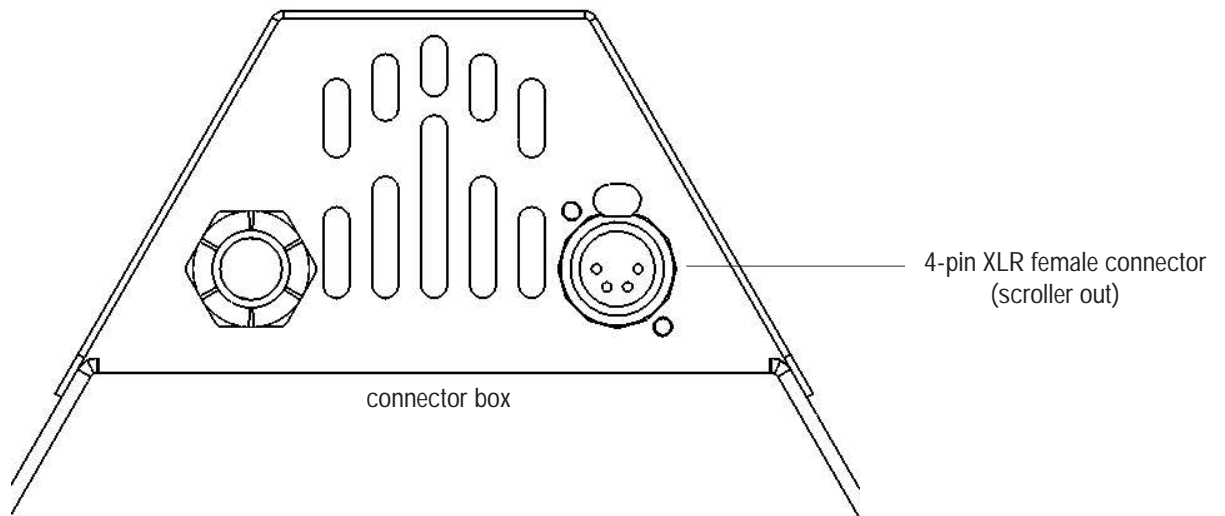
3. Plug an 18" 4-pin XLR cable to the scroller and to the connector box of the AutoYoke.
(Refer to drawing below for view of the connector box)

**** Note: City Theatrical does not recommend using a cable that is longer than 18". Using a scroller cable that is longer than 18" runs the significant risk of interfering with the AutoYoke's range of motion.*

** **Note: When using a Wybron CXI or a Coloram II, the scroller cable **must be wired in the following way:***

- Male pin 1 to Female pin 4
- Male pin 2 to Female pin 2
- Male pin 3 to Female pin 3
- Male pin 4 to Female pin 1

Using a cable that is not wired this way will **destroy** the scroller. Always consult the color scroller manufacturer's signal cable requirements before connecting a scroller to the AutoYoke.



USING A TOP HAT OR OTHER ACCESSORIES

Use only the accessories listed in the Balancing Guide (located at the end of the Manual) and secure tightly to the fixture or to the scroller by means of cable ties whenever possible.



scroller with top hat

3-4 *REPLACING THE PARNEL FIXTURE LAMP HOUSING ASSEMBLY ON THE UNIT*

The AutoYoke with PARNel is supplied with the lamp wire already terminated to the AutoYoke connector box. However, the lamp housing assembly might need replacing at some point. The cap-wire assembly may be replaced as follows **but be sure that AutoYoke power and the lamp power cables are unplugged.**

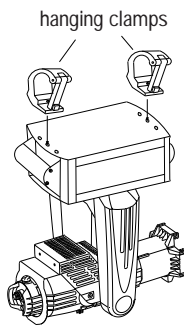
1. Remove the connector box cover by using a philip's head screwdriver to remove the four 6-32 x 1/4 inch screws, two on each side, and locate the terminal block.
2. Using a 1/8-inch wide slotted screwdriver, loosen the two screws from the cells that holds the two white wires coming from the lamp housing assembly, and pull the two wires out.
3. Using a 5/16-inch socket driver, remove the 6-32 nut that secures the ring terminal of the ground wire coming from the lamp housing.
4. Locate the black strain relief and loosen the nut at the outside of the connector box to free up the wires.
5. Pull out the wire harness from the strain relief.
6. Loosen the knurled knob of the cap and remove the lamp housing assembly from the PARNel fixture.
7. Cut the lamp harness of the new lamp housing assembly to about 13 inches from the cap.
8. Screw the new cap to the PARNel fixture (you may put in the HPL lamp at this point).
9. Slip the nut removed from the strain relief over the new lamp harness and insert the harness into the strain relief from the outside of the connector box.
10. Strip about 1/4 inch of insulation from the three wires and crimp a ring terminal to the ground (green) wire. Ring terminal should be for gauge #22-18 and with a #6 hole.
11. Place the new ground wire (with ring terminal) over the stud bolt where the first ground wire was removed and secure with the 6-32 nut.
12. Insert the two white wires to the terminal block and tighten the screws.
13. With the wires terminated inside the box, tighten the nut of the strain relief from the outside of the box to secure the lamp harness.
14. Reinstall the connector box cover.

3-5 *HANGING THE AUTOYOKE*

The AutoYoke must be securely attached to the hanging position with hanging clamps. The Power Supply must be placed either directly above or directly below the lighting fixture for proper operation (see note below). A secondary means of suspension, a safety cable - must be used to prevent the AutoYoke from falling in the event of hanging clamp failure.

*****NOTE:** *The AutoYoke MUST NOT be hung at any angle to avoid imbalance and malfunction of the unit.*

Pan direction is CLOCKWISE from 0% to 100% when the AutoYoke is hanging Power Supply up, facing the Front Panel, looking at the AutoYoke hanging from below. Keep this in mind when choosing hanging orientation for optimal travel.



1. Attach the hanging clamps to the specified holes on the top of the Power Supply.
2. Hang the AutoYoke on a minimum of 2'3" centers and with a clearance of 3' from the top of the Power Supply to the fixture and color scroller (clearance will be greater if a top hat is used).
3. Fasten a safety cable through one of the handles of the AutoYoke, and secure it to the hanging position.

3-6 *POWER CABLE*

AutoYoke: The cable with the three pin Edison connector supplies power to the AutoYoke. Plug to a NON DIM power supply that is configured for a switchable PSU or a hot circuit that does not pass through a dimmer rack.

Lamp: The cable with the three pin stage or twist lock connector (or without connector) supplies power to the lighting fixture. This may be plugged into a dimmer.

3-7 *DATA CABLE*

Plug a DMX cable to the male 5-pin XLR on the AutoYoke Power Supply.

- Cable must be twisted pair, 120W, shielded EIA485 cable (Belden 9829, 9842 or equivalent), minimum 22 AWG.
- Recommended maximum cable length is 1640' (500m). [Recommended Practice for DMX512, Adam Bennette 1994] Maximum cable length is 2000' (610m).
- A maximum of 32 DMX receiving devices can be present on a single DMX line.
- The last DMX device on the line must be terminated with a resistor with a value of 120W.

SECTION 4: USER INTERFACE

4-1 MENU SYSTEM

Several of the routines (marked with a * below) that are performed at the front panel are also accessible from the control channel (See Section 5-4, Control Channel, for further details).

The menu on the front panel of the AutoYoke allows you to do the following:

- Set DMX address
- Calibrate*
- Invert Pan, Tilt, and Focus travel direction
- Select 8- or 16-bit operation
- Select DMX smoothing value
- Set Pan, Tilt, Iris and Focus Limits*
- Display software version
- Invert display
- Change LED display properties
- Restore Factory Defaults (except for DMX512 address and display settings)
- Display Error messages

Throughout this manual, the following conventions will be used to explain menu navigation:

- **Menu:** The **Menu** button allows you to enter the menu item or return to the upper level menu items.
- **Enter:** The **Enter** button allows you to select a function.
- **▲▼:** The arrow keys allow you to navigate into and out of the menu system.
- **Addr:** Menu items that appears on the LED display on the front panel will be presented in this format.



SECTION 5: OPERATION

5-1 DMX CHANNEL ASSIGNMENTS

16-BIT OPERATION

- 1 - Pan Coarse
- 2 - Pan Fine
- 3 - Tilt Coarse
- 4 - Tilt Fine
- 5 - Unused but occupied
- 6 - Focus
- 7 - Control

***Refer to the Scroller note below for Scroller DMX Channel information

8-BIT OPERATION:

- 1 - Pan
- 2 - Tilt
- 3 - Unused but occupied
- 4 - Focus
- 5 - Control

***Scroller Note:

The scroller requires an address other than those addresses occupied by the AutoYoke. When using a Wybron CXI scroller, the scroller must be addressed at **001**, and it will occupy 3 control channels - the 8th, 9th, and 10th in the sequence when operating in 16-bit and the 6th, 7th, and 8th when operating in 8-bit. When using a Coloram II scroller, the address at the head is inconsequential, but the scroller will always occupy the 8th channel in the sequence (in 16-bit) and the 6th channel in the sequence (in 8-bit). All other specified scrollers can be set at a user selected DMX address as long as it is not occupied by an AutoYoke attribute.

5-2 PAN AND TILT

- Pan 360° - can travel the full range in 4 seconds (maximum)
- Tilt 270° - can travel the full range in 3 seconds (maximum)
- To optimize smooth Pan and Tilt travel, select the DMX smoothing setting applicable to your controller. See section 4-5b, DMX Smoothing, for further information.
- The Pan and Tilt travel directions can be inverted for programming convenience. See Section 4-4, Invert, for further information.
- Pan and Tilt range can be limited to optimize smooth travel. See Section 4-6, Limits, for further information.

5-3 **DEFAULT SETTINGS**

The AutoYoke is shipped from City Theatrical with the following default settings and configuration:

- Configured/ balanced as a unit without scroller or accessory (#1 set of holes)
- DMX address is 1
- DMX resolution is 16 bit
- Smooth Setting 1 (Strand and ETC consoles)
- AutoCalibrate all attributes at power up.
- Pan direction is CLOCKWISE from 0% to 100% when the AutoYoke is hanging Power Supply up and when the operator below is facing the Front Panel.
- Tilt is at 0% (Pan is at 0%) when the gel frame holder side (front) of the lighting fixture is tilted towards the rear of the power supply [the rear of the power supply is the long side without the label, the front of the power supply is the long side with the label] and connector box is up; Tilt is at 100% when the front of the lighting fixture is tilted towards the front of the power supply, connector box is down.
- Focus direction: Spot - 0% Flood - 100%
- Pan, Tilt, and Focus have a full range of travel.
- LED timeout system is engaged.
- LED brightness is at 68.

Refer to Section 4-9, Restoring Factory Defaults, for further instructions.

5-4 **PERSONALITY SETTINGS AND MAINTENANCE LIGHT CUES**

The AutoYoke will be controlled differently on different consoles. Refer to the console manufacturer for instructions on writing a personality.

When writing the AutoYoke personality, take into consideration the desired default levels for each attribute. Each attribute will go to its default level when the console is cleared. City Theatrical suggests writing the Pan / Tilt default levels at 50/50 (50/50 is the middle of the travel). The AutoYoke goes to a 50/50 position following calibration unless it is receiving a DMX value.

In addition, it is recommended that the AutoYoke be moved to a position prior to power down that prevents an out of balance fixture from slamming the end stop on the tilt axis.

5-5 CONTROL CHANNEL

The Control Channel allows the operator to Calibrate and set Limits and configure the scroller from the console. The Control Channel must remain stable at the appropriate level for 2 seconds to engage function.

CONTROL CHANNEL VALUES

WHEN USING DIRECT DMX SCROLLERS		WHEN USING WYBRON COLORAM II		WHEN USING WYBRON CXI	
0%	Operation	0%	Operation	0%	Operation
5%	unused	5%	Calibrate scroller***	5%	Calibrate scroller***
10%	Calibrate All Attributes	10%	Calibrate All Attributes	10%	Calibrate All Attributes
15%	unused	15%	Motor slow	15%	unused
20%	Calibrate Pan	20%	Calibrate Pan	20%	Calibrate Pan
25%	unused	25%	Motor normal	25%	unused
30%	Calibrate Tilt	30%	Calibrate Tilt	30%	Calibrate Tilt
35%	unused	35%	Fan slow	35%	Fan slow
40%	Calibrate Iris	40%	Calibrate Iris	40%	Calibrate Iris
45%	unused	45%	Fan normal	45%	Fan normal
50%	Calibrate Focus	50%	Calibrate Focus	50%	Calibrate Focus
55%	Cut Power to scroller***	55%	Fan off	55%	Fan off
60%	Set Pan Low Limit	60%	Set Pan Low Limit	60%	Set Pan Low Limit
65%	Set Pan High Limit	65%	Set Pan High Limit	65%	Set Pan High Limit
70%	Set Tilt Low Limit	70%	Set Tilt Low Limit	70%	Set Tilt Low Limit
75%	Set Tilt High Limit	75%	Set Tilt High Limit	75%	Set Tilt High Limit
80%	unused	80%	unused	80%	unused
85%	unused	85%	unused	85%	unused
90%	Set Focus Low Limit	90%	Set Focus Low Limit	90%	Set Focus Low Limit
95%	Set Focus High Limit	95%	Set Focus High Limit	95%	Set Focus High Limit
100%	unused	100%	unused	100%	unused

****NOTE: 55% (when using direct DMX scrollers) and 5% (when using Wybron Coloram II and CXI) allow the operator to remotely recalibrate the scroller. Direct DMX scrollers (using control channel 55%) will recalibrate once the control channel reverts to operation mode; Wybron Coloram II and CXI will not and does not need to calibrate if their power is not cut off from the time of their initial power up.*

SETTING LIMITS WITH THE CONTROL CHANNEL

1. Bring the Control Channel to the appropriate level.
2. Bring the channel that operates the attribute to the desired level.
****NOTE: The attribute channel level must change once before the desired level can be selected. If the attribute channel is already at the desired level move it off of the desired level and then back to the desired level -This is to prevent inadvertent limit selection during programming.*
3. Bring the Control Channel to 0.
4. Bring the attribute channel to 0 to complete the setting of limits.

5-6 ENCODERS

The AutoYoke is designed to return to its recorded position if it has been knocked or obstructed. If it has been knocked, the motors will lose power to prevent damage to the AutoYoke or the obstruction. The AutoYoke will then attempt to return to its recorded position after approximately 2 seconds. In the event that the obstruction is not removed before the AutoYoke attempts to return to its recorded position and the AutoYoke again hits the obstruction, the AutoYoke will again lose power to the motors and double the waiting period before again attempting to return to its recorded position. The AutoYoke will make 7 attempts before the motor shuts down. Recalibration is required for the motor to work again after obstruction has been cleared.

SECTION 6: BEAMSPREAD AND COLOR CONTROL

Beamsread, and color are controlled with the following features of the AutoYoke.

AutoFocus: The AutoFocus rotates the outer lens of the PARNel fixture. It changes the beamsread from spot to flood.

Scrollers: **THE AUTOYOKE SUPPORTS WYBRON FORERUNNER, CXI, COLORAM II, RAINBOW PRO SERIES, AND CHROMA Q M1 COLOR SCROLLERS ONLY.** Other Manufacturers' scrollers are NOT electrically compatible. Always consult the color scroller manufacturer's signal cable requirements before connecting a scroller to the AutoYoke.

When using a **Wybron CXI** or a **Coloram II**, the scroller cable must be wired in the following way:

Male pin 1 to Female pin 4
Male pin 2 to Female pin 2
Male pin 3 to Female pin 3
Male pin 4 to Female pin 1.

The scroller requires an address other than those addresses occupied by the AutoYoke. When using a Wybron CXI scroller, the head must be addressed at **001**, and it will occupy 3 control channels - the 8th, 9th, and 10th in the sequence when operating in 16-bit and the 6th, 7th, and 8th when operating in 8-bit. When using a Coloram scroller, the address at the head is inconsequential, but the scroller will always occupy the 8th channel in the sequence (in 16-bit) and the 6th channel (in 8-bit). All other specified scrollers can be set at a user selected DMX address as long as it is not occupied by an AutoYoke attribute. It is only necessary to select the first DMX address for the AutoYoke. Refer to Sections 3-4 and 4-2 for further instructions.

SECTION 7: MAINTENANCE

Software Revisions: To find the current software release, either visit the City Theatrical, Inc. website www.citytheatrical.com or contact City Theatrical, Inc. directly. To find out which release of software your AutoYoke is operating on, go to the Release submenu on the control panel. See Section 4-7, Software Release, for further instructions.

Spare Parts: Contact City Theatrical or your dealer for AutoYoke spare parts information.

Lighting Fixture: Refer to lighting fixture user manual for all information regarding lighting fixture maintenance.

SECTION 8: WARRANTY

Limited Warranty: The AutoYoke is covered by a one year parts and labor limited warranty from the date of purchase by the original owner. It is the original owner's responsibility to provide documentation of the purchase date and dealer. In the event that this documentation can not be provided, City Theatrical Inc. will begin the warranty period on the manufacturing date. During the warranty period, AutoYokes will be repaired or replaced at the discretion of City Theatrical, Inc.

Any lighting fixtures or devices that are connected with the AutoYoke other than those clearly authorized by City Theatrical Inc. will void the AutoYoke warranty. City Theatrical Inc. will not be responsible for any authorized lighting fixtures or devices that are incorrectly connected to the AutoYoke.

Procedure: Contact City Theatrical Inc. to obtain a Return to Manufacturer Authorization number prior to shipping. All products that are returned to City Theatrical, Inc. must be clearly marked with the Return to Manufacturer Authorization (RMA) number on the exterior of the shipping container. City Theatrical Inc. will refuse any product/s that are returned without a Return to Manufacturer Authorization number. A detailed explanation of the alleged failure or malfunction must be included inside the shipping container.

The purchaser of the product will pay all shipping expenses. City Theatrical Inc. will pay for return shipping of products under warranty in the continental United States, excluding overnight, rush or expedited shipping. All products returned to City Theatrical Inc. must be packaged in a shipping container that adequately protects the contents. City Theatrical Inc. will not be responsible for any damage incurred during shipping.

4-2 Addr - ADDRESS

The AutoYoke requires 7 channels (16-bit) or 5 channels (8-bit) per fixture to operate. The scroller requires an address other than those addresses occupied by the AutoYoke. When using a Wybron CXI scroller, the scroller must be addressed at **001**, and it will occupy 3 control channels - the 8th, 9th, and 10th in the sequence when operating in 16-bit and the 6th, 7th, and 8th when operating in 8-bit. When using a Coloram II scroller, the address at the head (rotary switch) is inconsequential, but the scroller will always occupy the 8th channel in the sequence (in 16-bit) and the 6th channel in the sequence (in 8-bit). All other specified scrollers can be set at a user selected DMX address as long as it is not occupied by an AutoYoke attribute. It is only necessary to select the first DMX address for the AutoYoke.

*****NOTE: When using COLORAM II scrollers, set the DIP switches as follows:**

- Switch 1 - OFF (Motor Speed - Normal)
- Switch 2 - ON (Operation - 24-Chan)
- Switch 3 - OFF (Chan Range - 1~12)
- Switch 4 - OFF (Fan Speed - Remote Xtrol)

DMX CHANNEL ASSIGNMENTS

16-bit

- 1 - Pan Coarse
- 2 - Pan Fine
- 3 - Tilt Coarse
- 4 - Tilt Fine
- 5 - unused but occupied
- 6 - Focus
- 7 - Control Channel
- **Address scroller independently

8-bit

- 1 - Pan
- 2 - Tilt
- 3 - unused but occupied
- 4 - Focus (occupied if not used)
- 5 - Control Channel
- **Address scroller independently

1. Turn on the AutoYoke. Pan, Tilt, and Focus will AutoCalibrate as the word **Go** travels across the LED display (This will only occur if the AutoYoke is still configured with Factory Defaults. See Section 4-9 for Factory Default settings). If the AutoYoke is receiving DMX, it will travel to the DMX values once it has calibrated. If the AutoYoke is not receiving DMX, it will move to a 50/50 position on the Pan and Tilt axes upon the completion of calibration. The 50/50 position is at the halfway point of the attributes' travel range. See Section 5-2 for further information about the 50/50 position

*****Note:** *If the AutoYoke is not receiving DMX, a series of dashes will continuously travel across the LED display*

*****Note:** *The scroller is not part of the AutoCalibrate or Calibrate routine, but will autodetect and self - test at Power Up.*

- | | | | |
|-------------------------|----------------|-----------|--|
| 2. Press Menu : | Addr | (Address) | Addr will appear on the display. |
| 3. Press Enter : | | | Default (or previously programmed) address will appear on the display. |
| 4. Press ▲▼ : | 0 - 506 | | Select DMX address from 0 - 506 . |
| 5. Press Enter : | | | Address is recorded. |

4-3 CAL - CALIBRATE

Calibration is necessary to insure accurate operation at both power up and following an error state. In the event that an AutoYoke is forced off of its recorded position, it should be recalibrated. See Section 5-6, Encoders, for further information about recovering recorded position after the AutoYoke has been hit. If any of the AutoYoke attribute is not Calibrated at power up, it will not operate.

In the Calibrate sub-menu, the options are as follows:

- **ALL** Calibrate Pan, Tilt, and Focus
 - **CALP** Calibrate Pan and Tilt (Tilt always Calibrates with Pan)
 - **CALt** Calibrate Tilt
 - **CALI** Not Applicable
 - **CALF** Calibrate Focus
 - **ACP** AutoCalibrate Pan and Tilt at power up
 - **ACt** AutoCalibrate Tilt at power up
 - **ACI** Not Applicable
 - **ACF** AutoCalibrate Focus at power up
- The default Calibrate setting is AutoCalibrate Pan, Tilt, and Focus at power up. You may choose to turn off the AutoCalibrate option or you may choose to AutoCalibrate only some of the attributes. However, every attribute **MUST** be Calibrated before you operate the AutoYoke. See Section 5-3, Factory Defaults, for further information.

4-3a CALIBRATE ALL (Pan, Tilt, and Focus):

- | | | | |
|-------------------------|-------------|-------------|---|
| 1. Press Menu : | Addr | (Address) | Addr will appear on the display. |
| 2. Press ▲▼ : | CAL | (Calibrate) | Advance to CAL . |
| 3. Press Enter : | ALL | | ALL will appear on the display. |
| 4. Press Enter : | | | Pan, Tilt, Iris and Focus will Calibrate. |

4-3b CALIBRATE A SINGLE ATTRIBUTE (Pan or Tilt or Focus)

- | | | | |
|-------------------------|-------------|----------------|--|
| 1. Press Menu : | Addr | (Address) | Addr will appear on the display. |
| 2. Press ▲▼ : | CAL | (Calibrate) | Advance to CAL . |
| 3. Press Enter : | ALL | | ALL will appear on the display. |
| 4. Press ▲▼ : | CALP | (Pan and Tilt) | Advance to CALP or |
| | CALt | (Tilt) | CALt or |
| | CALI | Not Applicable | CALI or |
| | CALF | (Focus) | CALF |
| 5. Press Enter : | | | Pan, Tilt, Iris or Focus will Calibrate. |

4-3c AUTOCALIBRATE PAN, TILT, AND FOCUS (or any combination thereof)

Step #1 - #3 are not necessary if operator is already in step #4 of Section 4-3a or in steps #4 - #5 of Section 4-3b

- | | | | |
|-------------------------|-------------|--------------------------|---|
| 1. Press Menu : | Addr | (Address) | Addr will appear on the display. |
| 2. Press ▲▼ : | CAL | (Calibrate) | Advance to CAL . |
| 3. Press Enter : | ALL | | ALL will appear on the display. |
| 4. Press ▲▼ : | ACAL | (AutoCalibrate) | Advance to ACAL . |
| 5. Press Enter : | ACPY | (AutoCalibrate Pan Yes) | ACPY will appear on the display. |
| 6. Press Enter : | ACPn | (AutoCalibrate Pan no) | Enter key will allow the operator to toggle between ACPY and ACPn . Whichever option is last on the display will be automatically selected by pressing ▲▼ or Menu as the next step. To AutoCalibrate Pan at power up, be sure that ACPY is the last option on the display. |
| 7. Press ▲▼ : | ACtY | (AutoCalibrate Tilt Yes) | Advance to ACtY . |
| 8. Press Enter : | ACtn | (AutoCalibrate Tilt no) | Enter key will allow the operator to toggle between ACtY and ACtn . Whichever option is last on the display will be automatically selected by pressing ▲▼ or Menu as the next step. To AutoCalibrate Tilt at power up, be sure that ACtY is the last option on the display. |

- | | | | |
|--------------------------|-------------|---------------------------|---|
| 9. Press ▲▼: | ACIY | Not Applicable | |
| 10. Press ▲▼: | ACFY | (AutoCalibrate Focus Yes) | Advance to ACFY
Enter key will allow the operator to toggle between ACFY and ACFn . Whichever option is last on the display will be automatically selected by pressing ▲▼ or Menu as the next step. To AutoCalibrate Focus at power up, be sure that ACFY is the last option on the display. |
| 11. Press Enter : | ACFn | (AutoCalibrate Focus no) | |
| 12. Press Menu : | | | Return to upper level and menu. |

4-4 In - *INVERT*

Default Pan direction is CLOCKWISE from 0% to 100% when the AutoYoke is hanging Power Supply up, facing the Front Panel, standing below the AutoYoke. Inverting Pan will make the travel direction COUNTERCLOCKWISE from 0% to 100%.

Default Tilt is at 0% (Pan is at 0%) when the gel frame holder side (front) of the lighting fixture is tilted towards the rear of the power supply [the rear of the power supply is the long side without the label, the front of the power supply is the long side with the label] and connector box is up; Tilt is at 100% when the front of the lighting fixture is tilted towards the front of the power supply, connector box is down. When Tilt is inverted, the opposite is true.

Focus direction:	Spot	0%	Flood	100%
Inverted Focus direction:	Flood	100%	Spot	0%

- | | | | |
|-------------------------|-------------|------------------|---|
| 1. Press Menu : | Addr | (Address) | Addr Appears on the display. |
| 2. Press ▲▼: | In | (Invert) | Advance to In . |
| 3. Press Enter : | InPn | (Invert Pan No) | InPn will appear on the display.
Enter key will allow the operator to toggle between InPn and InPY . Whichever option is last on the display will be automatically selected by pressing ▲▼ or Menu as the next step. To not invert Pan at power up, be sure that InPn is the last option on the display. |
| 4. Press Enter : | InPY | (Invert Pan Yes) | |

- 5. Press ▲▼: **InTn** (Invert Tilt No)
- 6. Press **Enter**: **InTY** (Invert Tilt Yes)

Advance to **InTn** (Invert Tilt No). **Enter** key will allow the operator to toggle between **InTn** and **InTY**. Whichever option is last on the display will be automatically selected by pressing ▲▼ or **Menu** as the next step. To not invert Tilt at power up, be sure that **InTn** is the last option on the display.

- 7. Press ▲▼: **InIn** Not Applicable

- 8. Press ▲▼: **InFn** (Invert Focus No)
- 9. Press **Enter**: **InFY** (Invert Focus Yes)

Advance to **InFn**. **Enter** key will allow the operator to toggle between **InFn** and **InFY**. Whichever option is last on the display will be automatically selected by pressing ▲▼ or **Menu** as the next step. To not invert Focus at power up, be sure that **InFn** is the last option on the display. Return to upper level and menu.

- 11. Press **Menu**:

4-5 rES - RESOLUTION

Different consoles process DMX in different ways. The AutoYoke has two smoothing values to accommodate those differences.

Use this submenu to select:

- 8 bit mode (16 bit mode is the default setting) and
- DMX Smoothing value #2 for Horizon (DMX Smoothing value #1 for Strand and ETC consoles is the default setting).

4-5a 8 BIT or 16 BIT

- 1. Press **Menu**: **Addr** (Address)
- 2. Press ▲▼: **rES** (Resolution)
- 3. Press **Enter**: **16bt** (16 Bit)
- 4. Press **Enter**: **8bt** (8 Bit)

Addr will appear on the display. Advance to **rES**. **16bt** will appear on the display. **Enter** key will allow the operator to toggle between **16bt** and **8bt**. Whichever option is last on the display will be automatically selected by pressing ▲▼ or **Menu** as the next step. Return to upper level and menu.

- 5. Press **Menu**:

4-5b DMX SMOOTHING VALUES

- DMX Smoothing value #1: Strand and ETC consoles
- DMX Smoothing value #2: Horizon

1. Press **Menu**: **Addr** (Address)
2. Press **▲▼**: **rES** (Resolution)
3. Press **Enter**:
4. Press **▲▼**: **SEt1** (Smooth Setting 1)
5. Press **Enter**: **SEt2** (Smooth Setting 2)

Addr will appear on the display. Advance to **rES**. **16bt** or **8bt** will appear on the display.

Advance to **SEt1**. **Enter** key will allow the operator to toggle between **SEt1** and **SEt2**. Whichever option is last on the display will be automatically selected by pressing **▲▼** or **Menu** as the next step.

6. Press **Menu**:

Return to upper level and menu.

4-6 P t L - PAN, TILT, AND FOCUS LIMITS

This option allows you to limit the range of travel for Pan, Tilt, and Focus. Limiting the Pan and Tilt range compresses DMX resolution, resulting in smoother travel. Limit range is 0 - 9999.

If an upper limit value is selected that is lower than a lower limit value, the attribute will invert. The AutoYoke will not restore full range until restore option is selected. The AutoYoke will retain its limits if power is terminated.

****Note: Calibrate routines will override limits.*

- | | | | |
|--------------------------|-----------------|---------------------------------|--|
| 1. Press Menu : | Addr | (Address) | Addr will appear on the display. |
| 2. Press ▲▼ : | P t L | (Pan, Tilt, Iris, Focus limits) | Advance to P t L . |
| 3. Press Enter : | LPL | (Lower Pan Limit) | LPL will appear on the display |
| 4. Press Enter : | | | The current Lower Pan Limit will appear on the display, and the AutoYoke will move to the currently selected limit. |
| 5. Press ▲▼ : | 0 - 9999 | | Select Lower Pan Limit from 0 - 9999 |
| 6. Press Enter : | LPL | (Lower Pan Limit) | LPL will appear on the display. |
| 7. Press ▲▼ : | UPL | (Upper Pan Limit) | Advance to UPL |
| 8. Press Enter : | | | The current Upper Pan limit will appear on the display, and the AutoYoke will move to the currently selected limit. |
| 9. Press ▲▼ : | 0 - 9999 | | Select Upper Pan Limit from 0 - 9999 |
| 10. Press Enter : | UPL | (Upper Pan Limit) | UPL will appear on the display. |
| 11. Press ▲▼ : | L t L | (Lower Tilt Limit) | Advance to L t L |
| 12. Press Enter : | | | The current Lower Tilt limit will appear on the display, and the AutoYoke will move to the currently selected limit. |
| 13. Press ▲▼ : | 0 - 9999 | | Select Lower Tilt Limit from 0 - 9999 |
| 14. Press Enter : | L t L | (Lower Tilt Limit) | L t L will appear on the display. |
| 15. Press ▲▼ : | U t L | (Upper Tilt Limit) | Advance to U t L |
| 16. Press Enter : | | | The current Upper Tilt Limit will appear on the display, and the AutoYoke will move to the currently selected limit. |
| 17. Press ▲▼ : | 0 - 9999 | | Select Upper Tilt Limit from 0 - 9999 |
| 18. Press Enter : | U t L | (Upper Tilt Limit) | U t L will appear on the display. |

- | | | | |
|------------------|----------|---------------------|---|
| 19. Press ▲▼: | LIL | Not Applicable | Advance to LIL |
| 20. Press ▲▼: | LFL | (Lower Focus Limit) | Advance to LFL |
| 21. Press Enter: | | | The current Lower Focus limit will appear on the display, and the AutoYoke will move to the currently selected limit. |
| 22. Press ▲▼: | 0 - 9999 | | Select Lower Focus Limit from 0 - 9999 |
| 23. Press Enter: | LFL | (Lower Focus Limit) | LFL will appear on the display. |
| 24. Press ▲▼: | UFL | (Upper Focus Limit) | Advance to UFL |
| 25. Press Enter: | | | The current Upper Focus Limit will appear on the display, and the AutoYoke will move to the currently selected limit. |
| 26. Press ▲▼: | 0 - 9999 | | Select Upper Focus Limit from 0 - 9999 |
| 27. Press Enter: | UFL | (Upper Focus Limit) | UFL will appear on the display. |
| 28. Press Menu: | | | Return to upper level and menu. |

RESTORING FULL RANGE OF TRAVEL

(steps #1 - #3 are unnecessary if already in Section 4-6, steps #4 - #27)

- | | | | |
|------------------|------|---------------------------------|---|
| 1. Press Menu: | Addr | (Address) | Addr will appear on the display. |
| 2. Press ▲▼: | PtL | (Pan, Tilt, Iris, Focus limits) | Advance to PtL . |
| 3. Press Enter: | LPL | (Lower Pan Limit) | LPL will appear on the display. |
| 4. Press ▲▼: | FULL | | Advance to FULL . |
| 5. Press Enter: | FL P | (Full Pan Range) | FL P will appear on the display. |
| 6. Press Enter: | | | This will restore full range of travel on Pan. To maintain the current Pan range, press ▲▼ instead. |
| 7. Press ▲▼: | FL t | (Full Tilt Range) | Advance to FL t . |
| 8. Press Enter: | | | This will restore full range of travel on Tilt. To maintain the current Tilt range, press ▲▼ instead. |
| 9. Press ▲▼: | FL I | Not Applicable | Advance to FL I . |
| 10. Press ▲▼: | FL F | (Full Focus Range) | Advance to FL F . |
| 11. Press Enter: | | | This will restore full range of travel on Focus. To maintain the current Focus range, press ▲▼ instead. |

- | | | |
|--------------------------|-----|---|
| 13. Press ▲▼: | ALL | Advance to ALL . |
| 14. Press Enter : | | This will restore full range of travel on all attributes. To maintain the current range, press Menu as in the next step instead. |
| 15. Press Menu : | | Return to upper level and menu. |

4-7 rEL - SOFTWARE RELEASE VERSION

To view the version of software that your AutoYoke is operating with:

- | | | | |
|-------------------------|-------------|-----------|---|
| 1. Press Menu : | Addr | (Address) | Addr will appear on the display. |
| 2. Press ▲▼: | rEL | (Release) | Advance to rEL . |
| 3. Press Enter : | | | Current software release number will appear on the display. |
| 4. Press Menu : | | | Return to upper level and menu. |

4-8 dISP - LED DISPLAY

This option allows you to choose whether or not you want the LED display to go blank after 30 seconds (Timeout function). You may also invert (Ud) and select the brightness of the LED display.

4-8a tout - TIMEOUT

- | | | | |
|-------------------------|-------------|-----------|--|
| 1. Press Menu : | Addr | (Address) | Addr will appear on the display. |
| 2. Press ▲▼: | dISP | (Display) | Advance to dISP . |
| 3. Press Enter : | tout | (Timeout) | tout will appear on the display. |
| 4. Press Enter : | Y | (Yes) | Y will appear on the display. |
| 5. Press Enter : | n | (No) | n will appear on the display. |
| | | | Enter key will allow the operator to toggle between Y and n . |
| | | | Whichever option is last on the display will be automatically selected by pressing ▲▼ or |
| | | | Menu in the next step. |
| 6. Press Menu : | | | Return to upper level and menu. |

4-8b brt - BRIGHTNESS

- | | | | |
|-------------------------|---------------|--------------|---|
| 1. Press Menu : | Addr | (Address) | Addr will appear on the display. |
| 2. Press ▲▼ : | dISP | (Display) | Advance to dISP . |
| 3. Press Enter : | tout | (Timeout) | tout will appear on the display |
| 4. Press ▲▼ : | brt | (Brightness) | Advance to brt . |
| 5. Press Enter : | | | Previous brightness value will appear on display. |
| 6. Press ▲▼ : | 0 - 99 | | Select a brightness value from 0 - 99 .
(CAUTION : A setting of 0 will dim the display to blank) |
| 7. Press Enter : | | | This will store the information. |
| 8. Press Menu : | | | Return to upper level and menu. |

4-9 dFLt - RESTORE FACTORY DEFAULTS

See section 5-3 for default settings.

- | | | | |
|-------------------------|-------------|------------|---|
| 1. Press Menu : | Addr | (Address) | Addr will appear on the display. |
| 2. Press ▲▼ : | dFLt | (Defaults) | Advance to dFLt . |
| 3. Press Enter : | YES | | YES will appear on the display. |
| 4. Press Enter : | | | Factory Defaults are restored. |
| 5. Press Menu : | | | Return to upper level and menu. |

***NOTE: Restoring factory default settings will not affect previous DMX512 address and display settings.

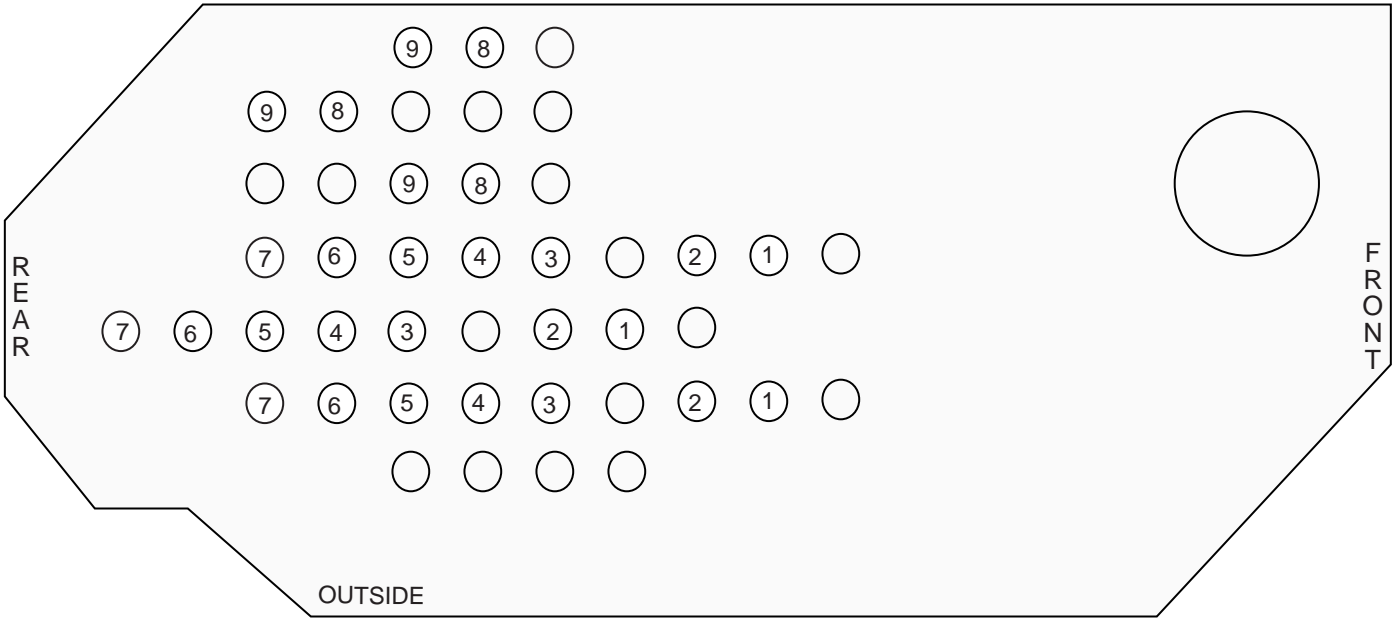
Trouble Shooting Guide

Scan the list of problems for the item that best describes what you are (or are not observing) with your AutoYoke. Follow the steps in order until the problem is resolved.

PROBLEM	STEP 1	STEP 2	STEP 3	STEP 4
AutoYoke does not turn on	Is the power switch turned on	Is the NonDim or hot circuit that supplies the AutoYoke turned on.		
AutoYoke calibrates but does not move	Is the AutoYoke receiving DMX YES - reset defaults	Is the address on the AutoYoke correctly patched	Is the personality on the console correct for the AutoYoke	Is there a DMX terminator on the last AutoYoke in the chain.
AutoYoke does not calibrate	Is the AutoYoke in balance	Is there something obstructing an attribute.	Is the AutoYoke set to ACAL at power up.	
Attribute does not move	Recalibrate attribute	Is the control channel on the console @ Zero	Has the control channel set limits in error. If so - reset dflts	
AutoYoke position is not repeatable	Is the AutoYoke clamped securely to a stiffened hanging position.	Are all of the fasteners on the Source Four and accessories very tight.	Is the Source Four securely attached to the AutoYoke and the Scroller firmly secured in the gel frame holder.	AutoYoke has not been recalibrated following an irrecoverable trauma
AutoYoke is loud	The whirring noise is coming from the fan on the scroller, if possible cue the fan out on the scroller	The squeaking sound is coming from the Source Four casting, all Source Four fasteners needs to be tightened.		
AutoYoke does not move smoothly	Is the AutoYoke being operated with a 16bit console	Is the AutoYoke set for 16bit	Is the scroller securely attached to the gel frame holder	
AutoYokes are moving at random	Is the DMX chain too long	Is the last AutoYoke on the chain terminated.	Is the control channel on the console @ Zero	Has the control channel set limits in error. If so - reset dflts
AutoYoke Pan or tilt Axis fails when the AutoYoke moves quickly	Is the AutoYoke in balance	Is there something obstructing an attribute.		
AutoFocus is not moving when controlled.	Recalibrate the Focus.			
LED screen flashes Go-- at power up continuously	Is the scroller cable the correct cable for the type of scroller in use.			
Scroller does not work	Is the scroller compliant with the Source Four Power Supply	Is the scroller cable the correct cable for the type of scroller in use.	Is the display on the scroller lit YES - the AutoYoke is functioning correctly, check the scroller address and patch. NO the scroller is malfunctioning check the scroller manual	Coloram II scrollers - Are the 4 DIP Switches set correctly. Refer to Section 4-2 of the User's Manual for DIP switch settings.

Balancing Guide

Refer to the drawing and table below which shows which set of holes to use for the particular scroller-accessory to be used. The number on the table corresponds to the set of holes on the AutoYoke side-arms. Please note orientation.



	No Scroller	Coloram II	CXI	ForeRunner	Chroma Q - M1	Rainbow Pro
No Accessory	1	4	6	3	8	4
Color Frame	1	4	6	3	8	4
7.5" Egg Crate Louver	1	N A	N A	3	8	N A
7.5" Concentric Ring	2	N A	N A	4	9	N A
7.5" ShortTop Hat	2	N A	N A	4	9	N A
7.5" Top Hat	2	N A	N A	4	9	N A
10" Short Top Hat	N A	5	7	N A	N A	5
10" Top Hat	N A	7	NA	N A	N A	6